

Sliding door system



Roller carrier TREND



Roller carrier CLASSIC

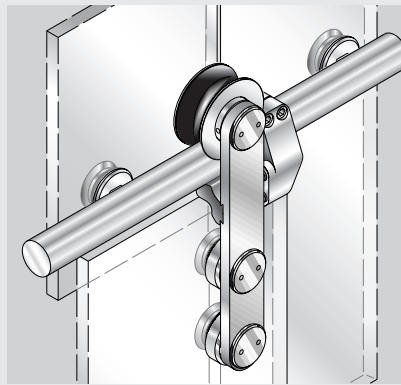
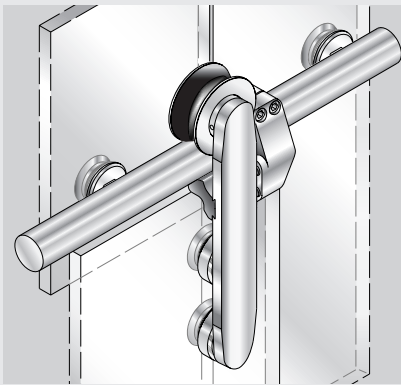
The MANET sliding door system is ideal as an elegant addition complementing high-style interior concepts. Its main components take the form of a solid track rail and the roller carrier. Whether you prefer the TREND or CLASSIC versions, both can be combined with the solid track or a tubular track by simply replacing the anti-jump device. The range includes both glass-flush and proud single-point fixings. The sliding door system allows plenty of scope for individual ideas.

In addition to the standard versions incorporated in toughened glass partitions or face-fixed on masonry openings, this hardware system can also be used to construct curved sliding doors, biparting sliding doors and parallel sliding doors. The fittings are designed for a door weight of max. 120 kg. Mechanical stops that can be positioned on the track rail ensure that the door travel distance is effectively limited.

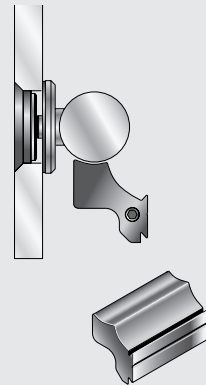
Roller carrier TREND

Roller carrier CLASSIC

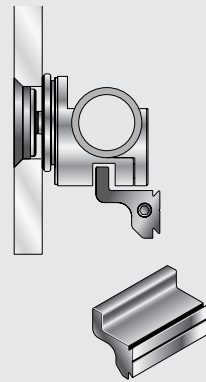
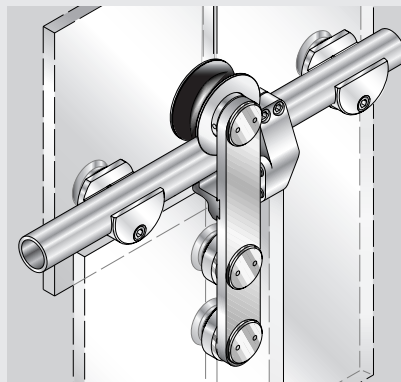
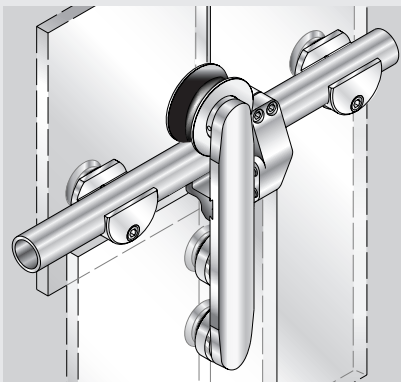
Glass connection with drilled solid track rails



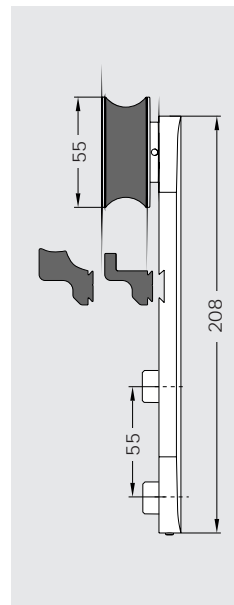
Different anti-jump devices for solid and tubular track rails



Glass connection with clamp fixing and tubes

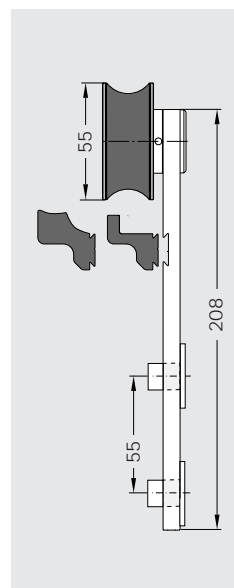
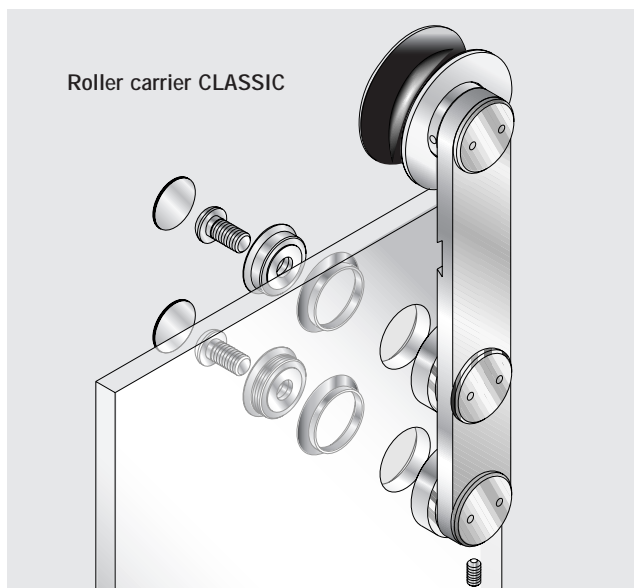


Roller carrier

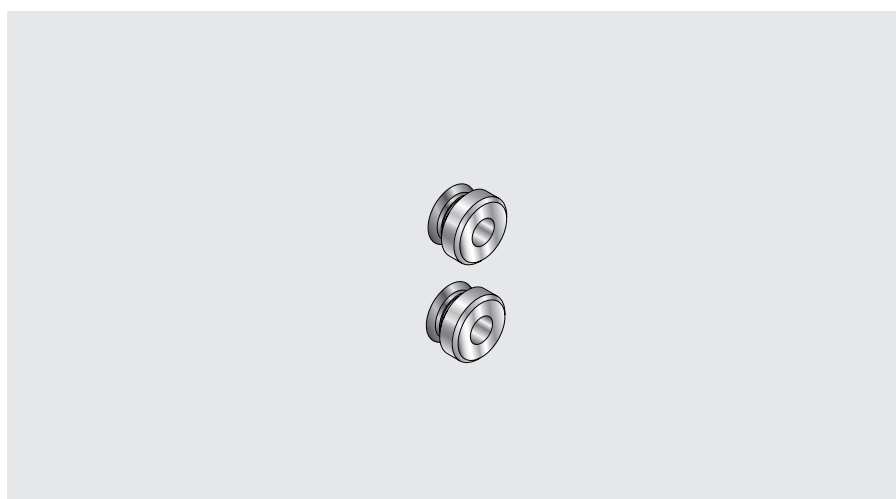


Ordering information

Roller carrier TREND
incl. anti-jump device
(both variants)
only lug with roller
Art. No. 8.29.414.700.99



Roller carrier CLASSIC
incl. anti-jump device
(both variants)
only lug with roller
Art. No. 8.29.400.700.99
AISI 316L
Art. No. 8.29.401.700.99



**2 piece single-point fixing
for roller carrier:**

countersunk 8 - 12 mm glass
Art. No. 8.29.430.700.99
AISI 316L
Art. No. 8.29.431.700.99
clamping disc 8 - 12 mm glass
Art. No. 8.29.432.700.99
AISI 316L
Art. No. 8.29.433.700.99
countersunk
for 13.5 - 17.5 mm glass
Art. No. 8.29.435.700.99
countersunk f. 19 mm glass
Art. No. 8.29.437.700.99