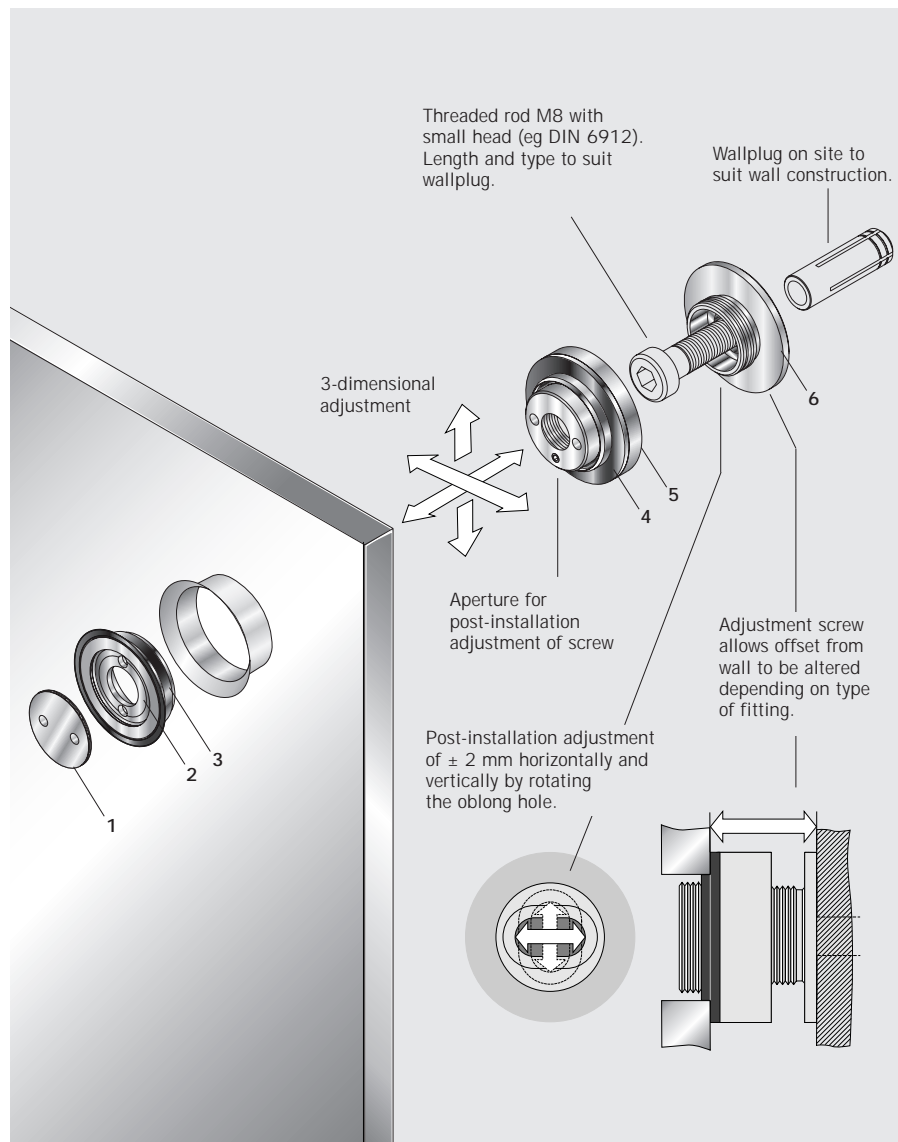


## Single-point fixing series S32/35

The basic component within the MANET system is the single-point fixing. Rather than cylindrical bore in the glass, this has a tapered countersunk bore for a perfect seated fit to the glass. These give a flush finish of the single-point fixing in all applications.

The three-dimensional adjustability incorporated within the fitting ensures ideal compensation for structural and drilling tolerances.

Constraint-free transmission of all the forces acting on the glass to the substructure is also ensured.



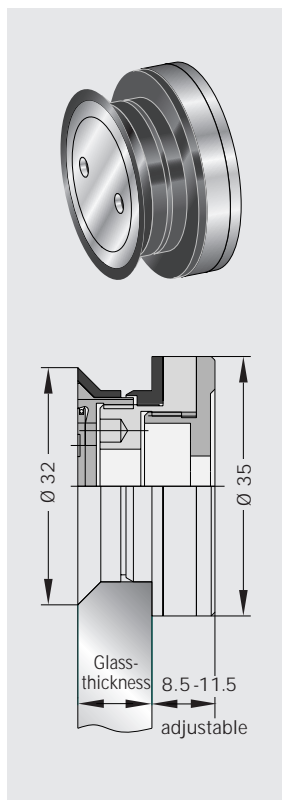
### Components

- 1 Clip-on cover
- 2 Pin internal thread
- 3 Conical sleeve
- 4 Gasket
- 5 Fixing
- 6 Adjustment screw

### Installation and adjustment

- Transfer the drilling points from the installation drawing to the wall.
- Drill anchor holes for wall plugs.
- Undo adjustment fastener and secure to the wall.
- Only lightly tighten fastener so that it can still be moved.
- Mount the fixing and washer and fit the glass.
- Undo the adjustment fastener and then secure in final position.
- Align single-point fixings and secure with grub screw.
- Fit tapered nut and clamping ring and tighten with special wrench (tightening torque 15 Nm).
- Clip on covers.

Type and ordering information



Single-point fixing,  
Glass/Wall  
Glass/Wall offset  
adjustable 8.5 - 11.5 mm

Complete fitting

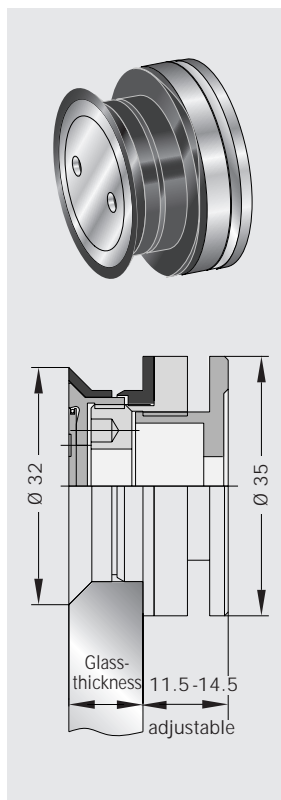
Glass thickness 10 mm:  
Art. No. 8.29.200.700.99

Glass thickness 12 mm:  
Art. No. 8.29.210.700.99

Glass thickness 13.5 mm:  
Art. No. 8.29.240.700.99

Glass thickness 15 mm:  
Art. No. 8.29.244.700.99

Glass thickness 17.5 mm:  
Art. No. 8.29.248.700.99



Single-point fixing,  
Glass/Wall  
Glass/Wall offset  
adjustable 11.5 - 14.5 mm

Complete fitting

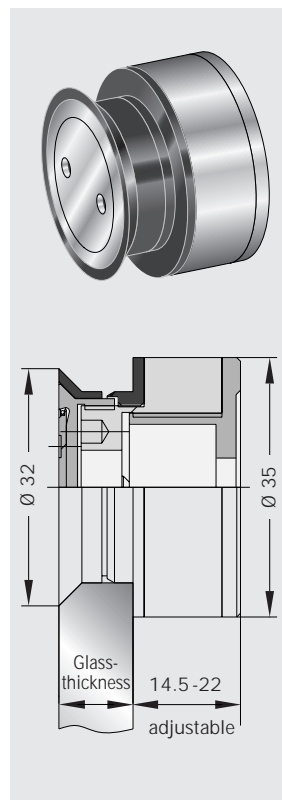
Glass thickness 10 mm:  
Art. No. 8.29.201.700.99

Glass thickness 12 mm:  
Art. No. 8.29.211.700.99

Glass thickness 13.5 mm:  
Art. No. 8.29.241.700.99

Glass thickness 15 mm:  
Art. No. 8.29.245.700.99

Glass thickness 17.5 mm:  
Art. No. 8.29.249.700.99



Single-point fixing,  
Glass/Wall  
Glass/Wall offset  
adjustable 14.5 - 22 mm

Complete fitting

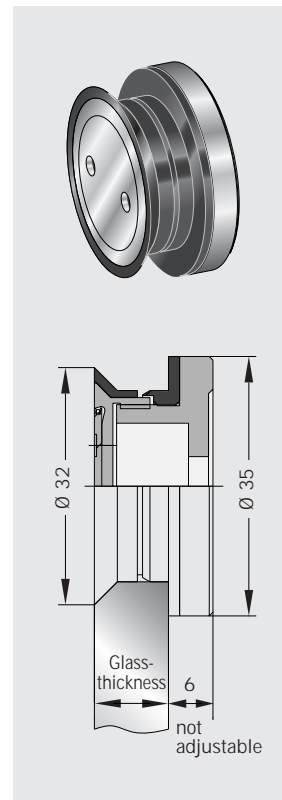
Glass thickness 10 mm:  
Art. No. 8.29.202.700.99

Glass thickness 12 mm:  
Art. No. 8.29.212.700.99

Glass thickness 13.5 mm:  
Art. No. 8.29.242.700.99

Glass thickness 15 mm:  
Art. No. 8.29.246.700.99

Glass thickness 17.5 mm:  
Art. No. 8.29.250.700.99



Single-point fixing,  
Glass/Wall  
Glass/Wall offset 6 mm  
not adjustable

Complete fitting

Glass thickness 10 mm:  
Art. No. 8.29.205.700.99

Glass thickness 12 mm:  
Art. No. 8.29.215.700.99

Glass thickness 13.5 mm:  
Art. No. 8.29.243.700.99

Glass thickness 15 mm:  
Art. No. 8.29.247.700.99

Glass thickness 17.5 mm:  
Art. No. 8.29.251.700.99