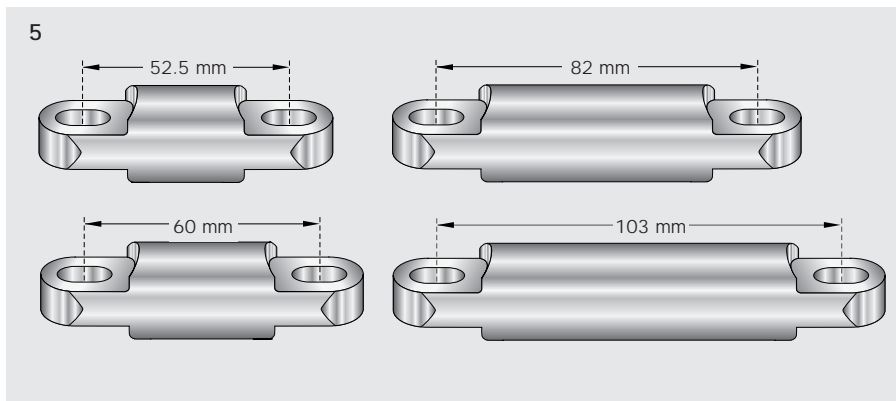
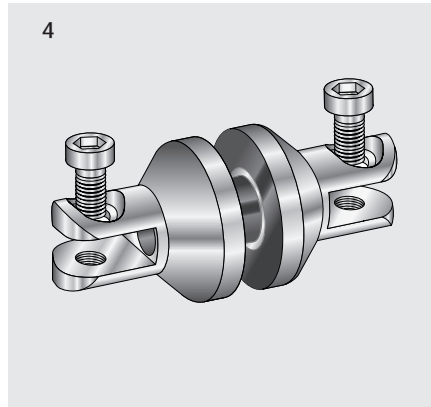
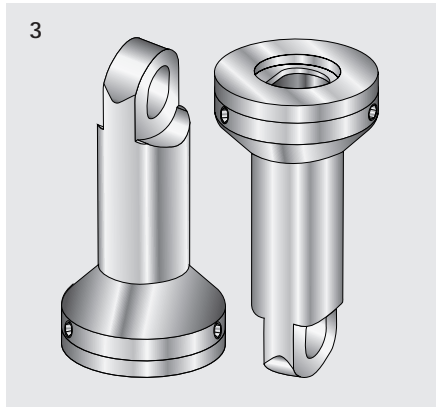
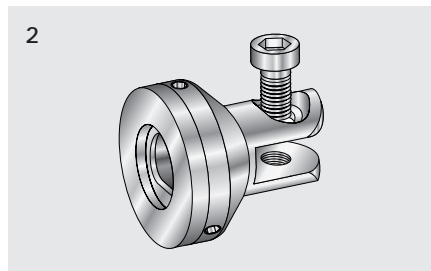
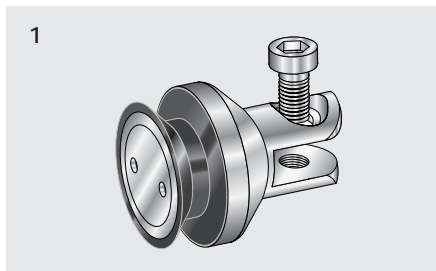
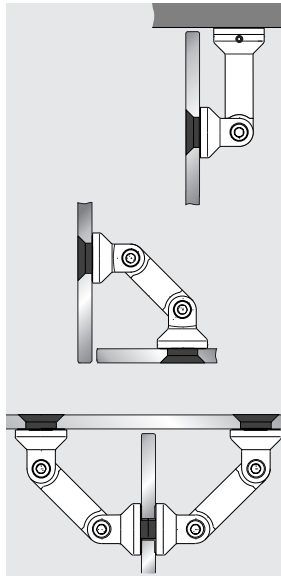


Connection system

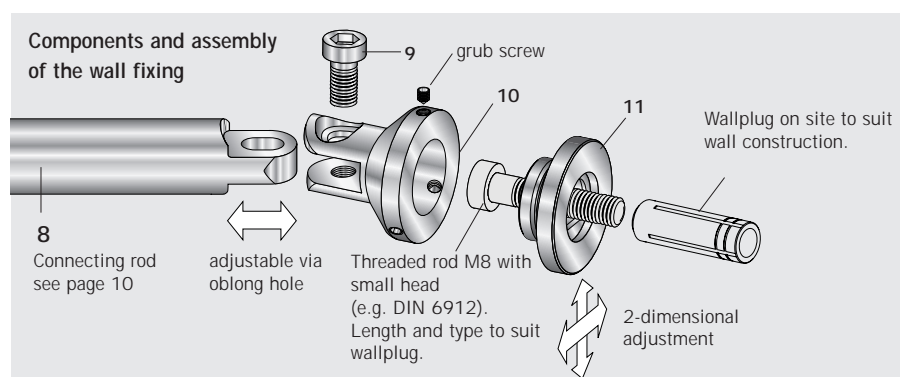
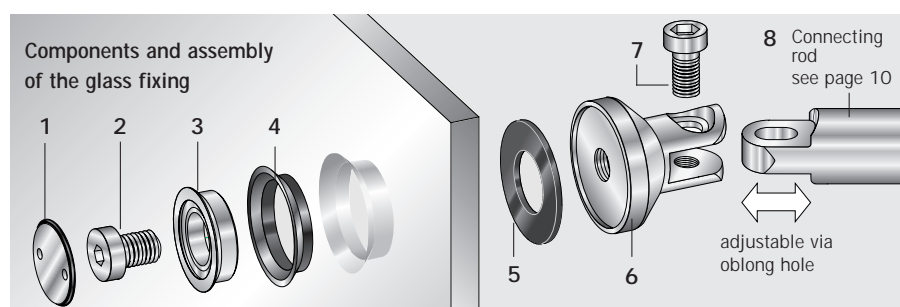
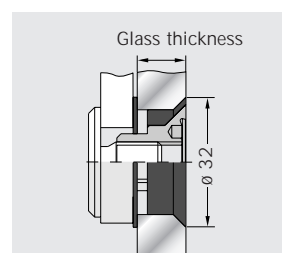
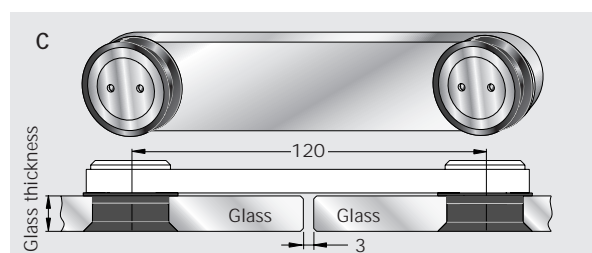
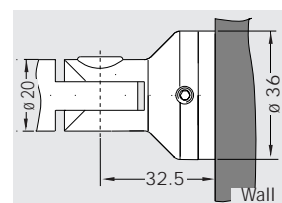
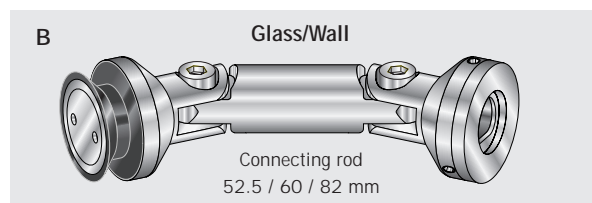
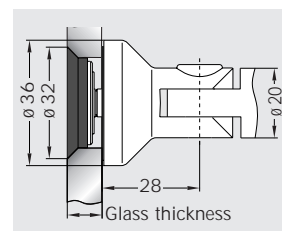
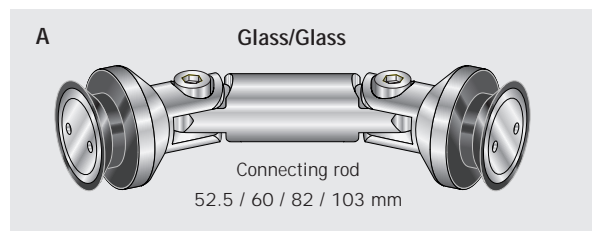
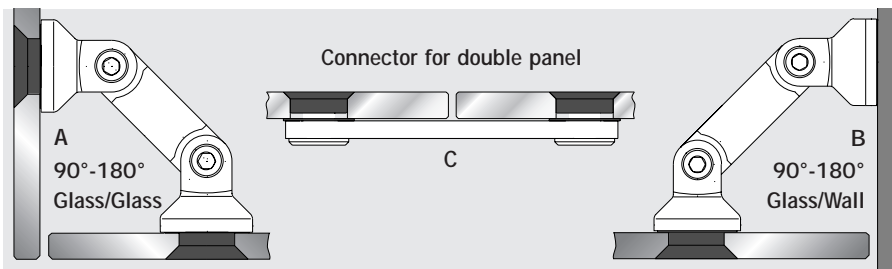
The system approach is very much in evidence in the case of the interconnecting components. Elements such as clamping and angle connectors of various designs and also interconnecting fasteners of various lengths can be combined in order to attach glass of different thicknesses at any required angle to the floor, to ceilings, to walls and to plinth supports. Single-point fixings flush with the glass are also used for this interconnection and glass-to-glass system. Tolerances are compensated by slotted holes in the interconnecting fasteners.



Ordering information

- 1**
Pivoting glass clamp
Glass thickness 8-12 mm
Art. No. 8.29.160.700.99
Glass thickn. 13.5-17.5 mm
Art. No. 8.29.162.700.99
Glass thickn. 17.5-21.5 mm
Art. No. 8.29.163.700.99
- 2**
Pivoting wall fixing
Art. No. 8.21.141.700.99
- 3**
Column
Ceiling/floor fixing
Art. No. 8.21.146.700.99
- 4**
Clamping connector
Glass thickness 8-12 mm
Art. No. 8.29.149.700.99
- 5**
Connecting rod
Length 52.5 mm
Art. No. 8.21.301.002.40
Length 60 mm
Art. No. 8.21.301.004.40
Length 82 mm
Art. No. 8.21.301.003.40
Length 103 mm
Art. No. 8.21.301.005.40

Connection system



Ordering information

A
Complete fitting glass/glass
 8 - 12 mm glass thickness
 With connecting rod
 52.5 mm
 Art. No. 8.29.120.700.99
 With connecting rod
 60 mm
 Art. No. 8.29.122.700.99
 With connecting rod
 82 mm
 Art. No. 8.29.125.700.99
 With connecting rod
 103 mm
 Art. No. 8.29.130.700.99

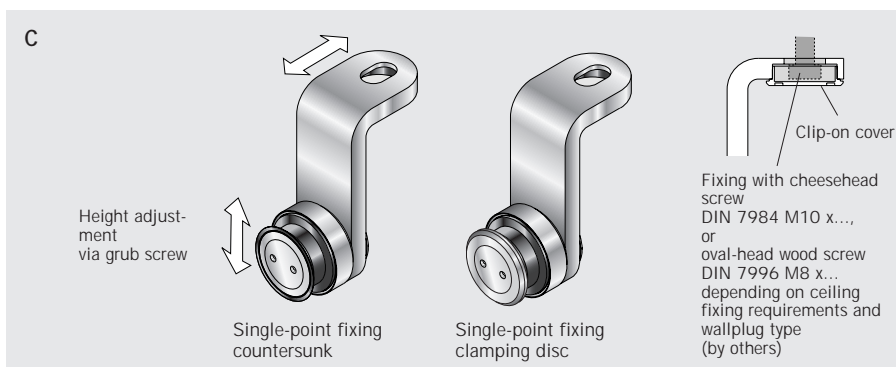
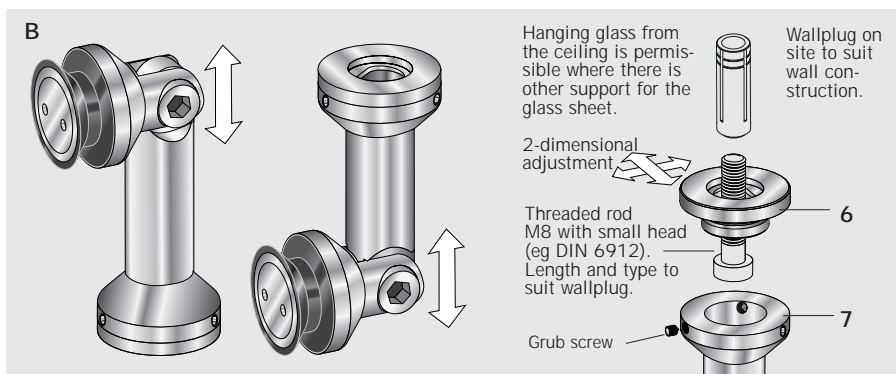
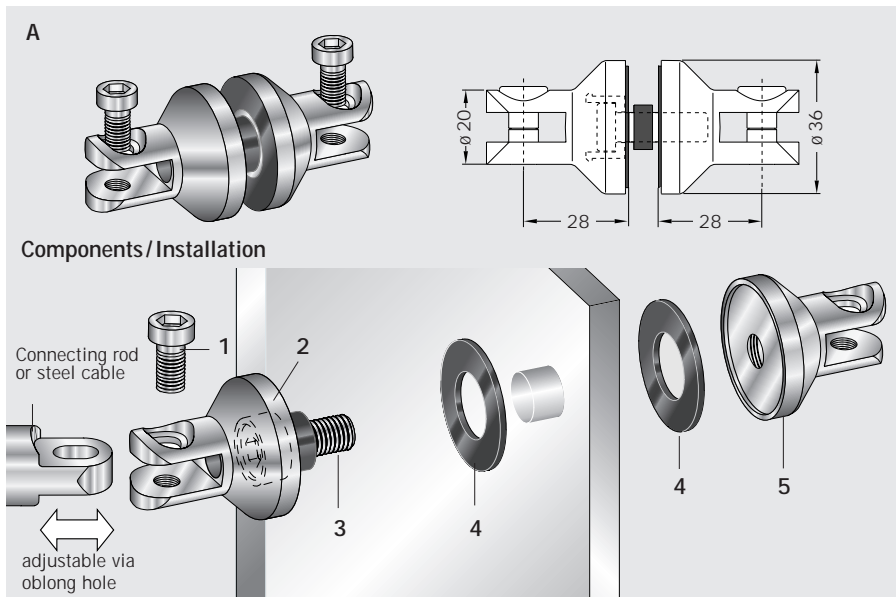
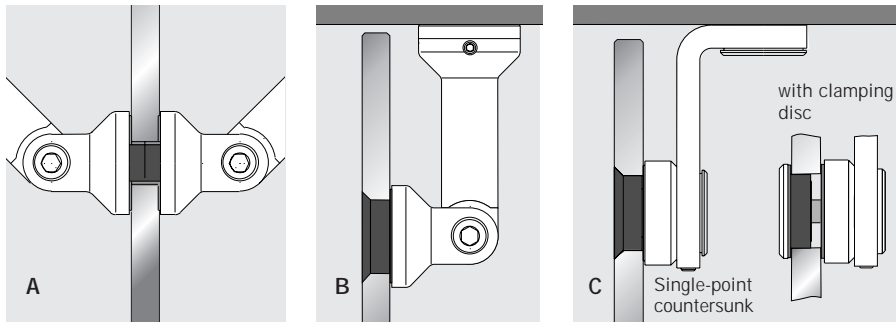
B
Complete fitting glass/wall
 8 - 12 mm glass thickness
 With connecting rod
 52.5 mm
 Art. No. 8.29.139.700.99
 With connecting rod
 60 mm
 Art. No. 8.29.140.700.99
 With connecting rod
 82 mm
 Art. No. 8.29.142.700.99

C
Complete fitting Connector
 for glass thickness
 8 - 12 mm
 AISI 303
 Art. No. 8.29.148.700.99
 AISI 316L
 Art. No. 8.29.368.700.99

Components

- 1 Clip-on cover
- 2 Connecting bolt
- 3 Conical collar
- 4 Conical sleeve
- 5 Gasket
- 6 Pivoting clamp
- 7 Connecting bolt
- 8 Connecting rod to suit length
- 9 Connecting bolt
- 10 Pivoting clamp
- 11 Fixing plate

Connection system



Ordering information

A
Clamping connector
 Complete fitting
 Glass thickness 8 - 12 mm
 Art. No. 8.29.149.700.99

B
Corner connector 90°
 Glass/ceiling, Glass/floor connection
 Complete fitting
 Glass thickness 8 - 12 mm
 (only supporting function)
 Art. No. 8.29.145.700.99

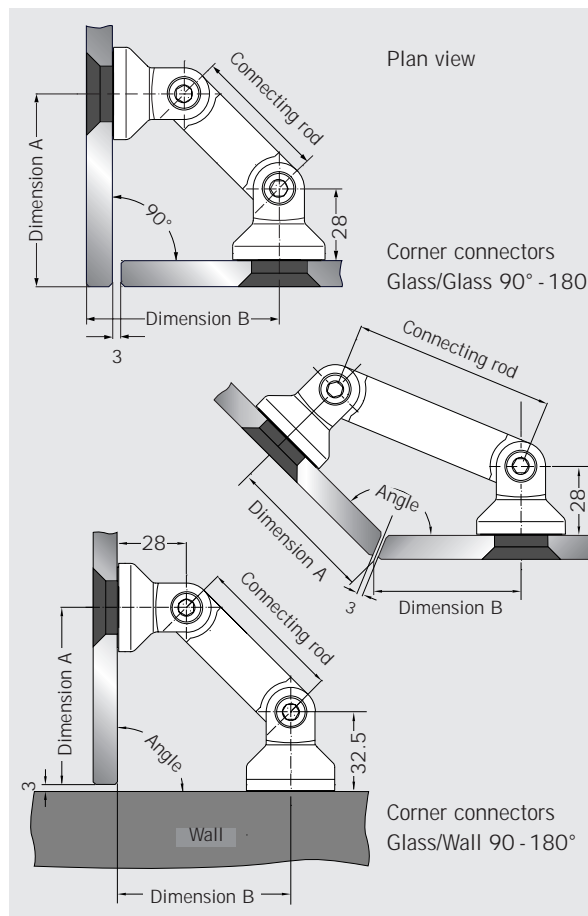
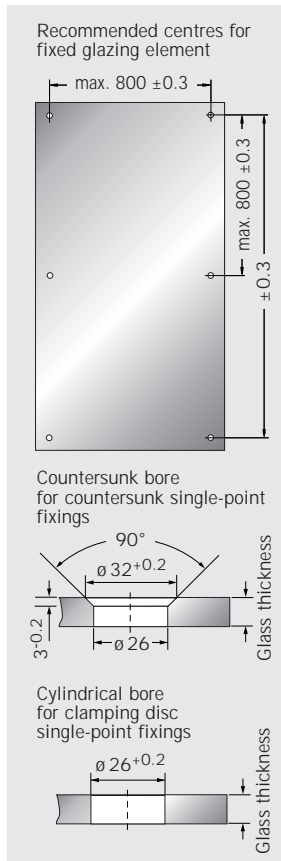
C
Ceiling fixing
 (bearing function)
 Complete fitting
 Glass thickness 8 - 12 mm
 countersunk
 Art. No. 8.29.337.700.99
 clamping disc
 Art. No. 8.29.338.700.99

Components

- 1 Connecting bolt
- 2 Pivoting clamp
- 3 Connecting bolt
- 4 Gasket
- 5 Pivoting clamp
- 6 Fixing plate
- 7 Column

Glass preparation for single-point fixings and corner connections

For ESG and VSG out of ESG.



Dimensions in mm

Corner connectors
Glass/Glass

Angle	Length of Connecting rod			
	52.5	60	82	103
90°	75	80	96	
95°	70	75	90	
100°	66	71	85	
105°	62	67	81	
110°	59	63	77	
115°	55	60	73	
120°	52	56	69	
125°	49	54	66	
130°	47	51	63	
135°	44	48	60	
180°				50

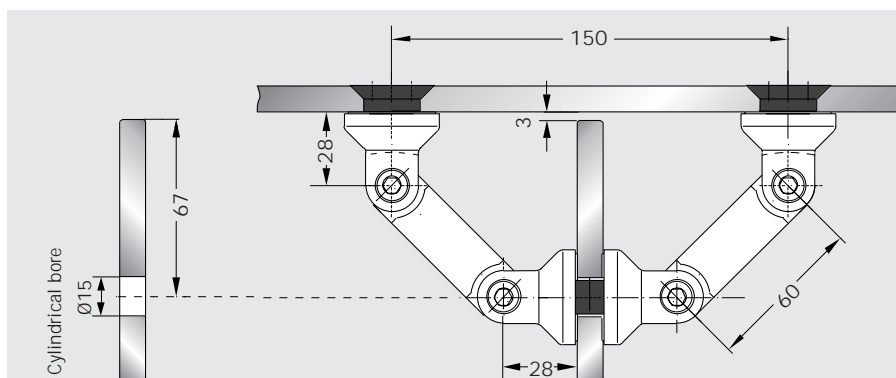
Dimensions for 10 mm glass thickness (consider variants for other glass thicknesses).

Glass/Wall

Angle	Length of Connecting rod		
	52.5	60	82
90°	67/65	72/70	87.5/86

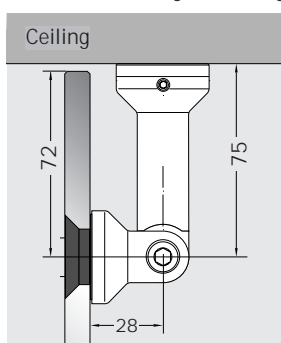
Dimensions for 10 mm glass thickness (consider variants for other glass thicknesses).

Clamping connector

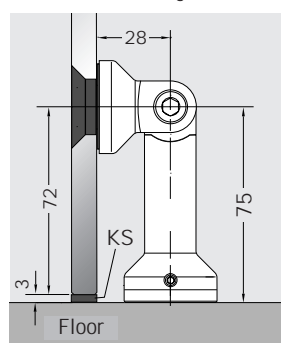


Ensure compliance with minimum glass/bore clearances as per glass manufacturer recommendations

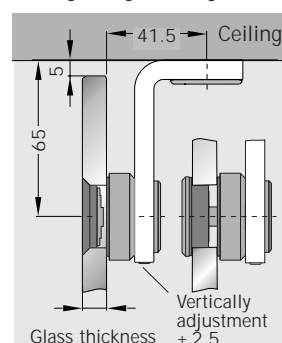
Corner connector glass/ceiling



Corner connector glass/floor



Ceiling fixing (bearing)



Glass preparation with a tolerance of max. ± 0.3 mm is recommended.