



MANET COMPACT Sets

Content

Pivoting door	40
Sliding door	44

MANET COMPACT Sets

The aesthetic elegance of the MANET COMPACT concept is also available in the form of standardised sets for simple, fast planning of the more popular system types with 8, 10 or 12 mm toughened safety glass (TSG). Optional accessories enable the individual sets to be semi-customised.

The system components offer numerous adjustment possibilities in order to ensure problem-free installation of whichever door type – sliding or swing, single action or double action – is required. Wall abutment profiles may need to be provided (by others) for fixing overpanels and sidelights.



Pivoting doors Set 1
page 41

Construction 1 (1 set) Construction 2 (1 set) Construction 3 (1 set) Construction 4 (1 set)

Construction 5 (2 sets) Construction 6 (2 sets) Construction 7 (2 sets) Construction 8 (2 sets)

Pivoting doors Set 2
page 42

Construction 9 (1 set) Construction 12 (1 set) Construction 18 (2 sets)

Pivoting doors Set 2 + 3
page 42/43

Construction 21 (each 1 set)

Pivoting doors Set 3
page 43

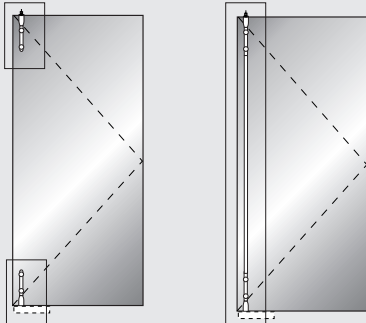
Construction 13 (1 set) Construction 15 (1 set) Construction 23 (2 sets)

Sliding doors Set 4/5/6
page 44 - 49

Set 4.1/4.2 Set 5.1/5.2 Set 6.1/6.2

Set 1

Pivoting door MANET COMPACT without overpanel for 10 - 12 mm glass

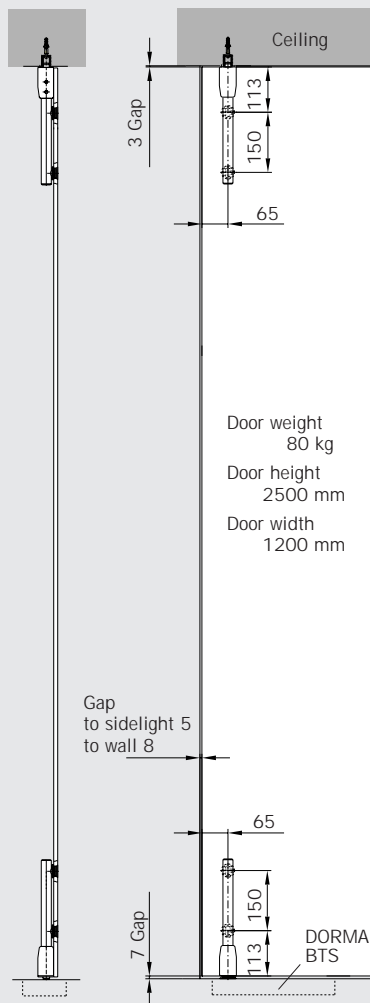


Set 1
with pivot rod pair
short type

Option:
Set 1, but with additional intermediate tube for pivot rod pair
in fixed length

Set 1 consisting of:
pivot rod pair top/bottom,
short type,
including:
4 Single-point fixings for pivot rods,
1 Pivot fitting top,
1 Eccentric bushing f. pivot bearing top,
1 Pivot fitting bottom
for DORMA BTS/floor pivot

Essential information: Panel height _____ mm
- 577 mm
= Length intermed. tube
_____ mm



For the requisite glass preparation
please see pages 20/21

Options for SET 1

Pull handles	Length	350 mm
	Length	720 mm
	Length	1240 mm
	Length	1760 mm
Pair of pull handles	Length	350 mm
	Length	720 mm
	Length	1240 mm
	Length	1760 mm

Stop
for pivoting door with ceiling mounting

Pivot bearing

Ceiling fixing (bearing function)

Corner lock top/bottom

Corner lock top/bottom
with rose on one lock side

Profile cylinder for
corner lock 8.21.448/449.700.99

Eccentric bushing for
corner lock 8.21.448/449.700.99

Floor pivot bearing

Assembling tool for MANET single-point
fixings

5 pcs. clip-on cover f. single-point fixings

Sample cases MANET COMPACT
for advice and presentation

Ordering information

Art. No. 8.29.910.700.99

Art. No. 8.29.911.700.99

Art. No. 8.29.268.700.99

Art. No. 8.29.271.700.99

Art. No. 8.29.274.700.99

Art. No. 8.29.277.700.99

Art. No. 8.21.267.700.99

Art. No. 8.21.270.700.99

Art. No. 8.21.273.700.99

Art. No. 8.21.276.700.99

Art. No. 8.21.334.700.99

Art. No. 8.21.317.700.99

Art. No. 8.29.337.700.99

Art. No. 8.21.448.700.99

Art. No. 8.21.449.700.99

Art. No. 8.14.206.000.99

Art. No. 8.05.194.700.99

Art. No. 8.01.106.700.99

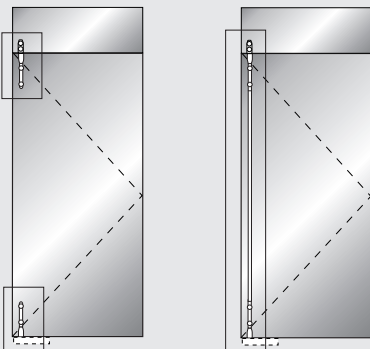
Art. No. 8.21.134.000.99

Art. No. 8.29.217.700.99

Art. No. 8.21.994.700.99

Set 2

Pivoting door MANET COMPACT with overpanel for 10 - 12 mm glass

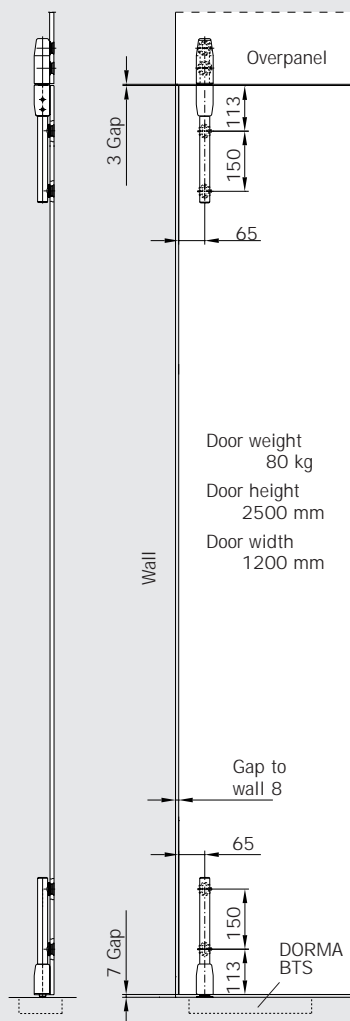


Set 2
with pivot rod pair
short type

Option:
Set 2, but with additional intermediate tube for pivot rod pair
in fixed length

- Set 2** consisting of:
pivot rod pair top/bottom,
short type,
including:
4 Single-point fixings for pivot rods,
1 Pivot fitting top,
1 Pivot bearing location for overpanel
1 Pivot fitting bottom
for DORMA BTS/floor pivot

Essential information: Panel height _____ mm
- 577 mm
= Length intermed. tube
_____ mm



Door weight
80 kg
Door height
2500 mm
Door width
1200 mm

For the requisite glass preparation
please see pages 20/21

Options for SET 2

Pull handles	Length 350 mm	Art. No. 8.29.268.700.99
	Length 720 mm	Art. No. 8.29.271.700.99
	Length 1240 mm	Art. No. 8.29.274.700.99
	Length 1760 mm	Art. No. 8.29.277.700.99
Pair of pull handles	Length 350 mm	Art. No. 8.21.267.700.99
	Length 720 mm	Art. No. 8.21.270.700.99
	Length 1240 mm	Art. No. 8.21.273.700.99
	Length 1760 mm	Art. No. 8.21.276.700.99

Stop for pivot door with ceiling mounting

Art. No. 8.29.268.700.99
Art. No. 8.29.271.700.99
Art. No. 8.29.274.700.99
Art. No. 8.29.277.700.99
Art. No. 8.21.267.700.99
Art. No. 8.21.270.700.99
Art. No. 8.21.273.700.99
Art. No. 8.21.276.700.99

Pivot bearing for ceiling fixing

Art. No. 8.21.334.700.99

Ceiling fixing (bearing function)

Art. No. 8.21.317.700.99

Stop at overpanel, (inside/outside)
for 10 and 12 mm glass

Art. No. 8.29.337.700.99

Corner lock top/bottom

Art. No. 8.29.335.700.99

Corner lock top/bottom
with rose on one lockside

Art. No. 8.21.448.700.99

Art. No. 8.21.449.700.99

Profile cylinder for
corner lock 8.21.448/449.700.99

Art. No. 8.21.449.700.99

Eccentric bushing for
corner lock 8.21.448/449.700.99

Art. No. 8.14.206.000.99

Overpanel-sidel. conn. for 10/12 mm glass

Art. No. 8.05.194.700.99

Overp.-sidel. conn. with stop inside for
10 and 12 mm glass

Art. No. 8.29.320.700.99

Overp.-sidel. conn. with stop outside
for 10 mm glass
for 12 mm glass

Art. No. 8.29.322.700.99

Art. No. 8.29.324.700.99

Art. No. 8.29.325.700.99

Floor pivot

Art. No. 8.01.106.700.99

Assembling tool for MANET-single-point f.

Art. No. 8.21.134.000.99

5 pcs. clip-on cover f. single-point fixings

Art. No. 8.29.217.700.99

Sample cases MANET COMPACT
for advice and presentation

Art. No. 8.21.994.700.99

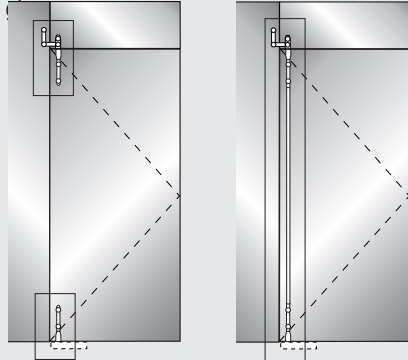
Ordering information

Art. No. 8.29.912.700.99

Art. No. 8.29.913.700.99

Set 3

Pivoting door MANET COMPACT with overpanel and sidelight for 10 - 12 mm

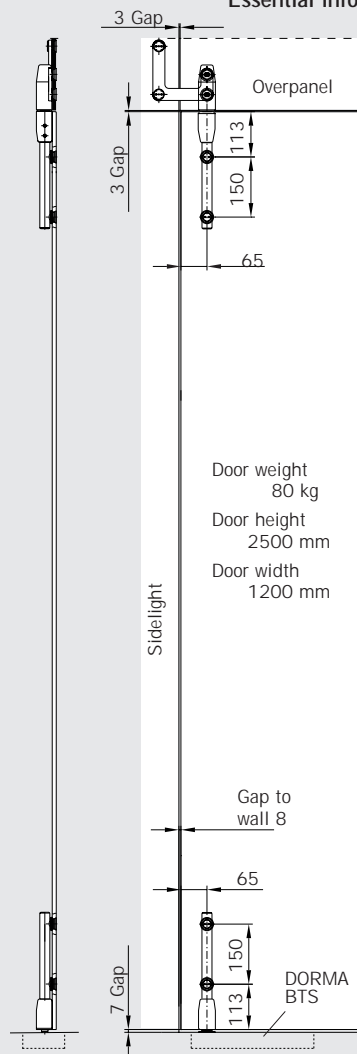


Set 3
with pivot rod pair,
short type

Option:
Set 3, but with additional intermediate tube for pivot rod pair
in fixed length

Set 3 consisting of:
pivot rod pair top/bottom,
short type,
including:
4 Single-point fixing for pivot rods,
1 Pivot fitting top,
1 Overpanel-sidelight connector with
pivot bearing location,
1 Pivot fitting bottom
for DORMA BTS/floor pivot bearing

Essential information: Panel height _____ mm
- 577 mm
= Length intermed. tube
_____ mm



For the requisite glass preparation
please see pages 20/21

Ordering information

Art. No. 8.29.914.700.99

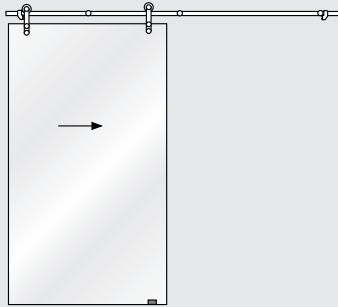
Art. No. 8.29.915.700.99

Options for SET 3

Pull handles	Length 350 mm	Art. No. 8.29.268.700.99
	Length 720 mm	Art. No. 8.29.271.700.99
	Length 1240 mm	Art. No. 8.29.274.700.99
	Length 1760 mm	Art. No. 8.29.277.700.99
Pair of pull handles	Length 350 mm	Art. No. 8.21.267.700.99
	Length 720 mm	Art. No. 8.21.270.700.99
	Length 1240 mm	Art. No. 8.21.273.700.99
	Length 1760 mm	Art. No. 8.21.276.700.99
Stop for pivot door with ceiling mounting		Art. No. 8.21.334.700.99
Pivot bearing for ceiling fixing		Art. No. 8.21.317.700.99
Ceiling fixing (bearing function)		Art. No. 8.29.337.700.99
Stop at overpanel, (inside/outside) for 10 and 12 mm glass		Art. No. 8.29.335.700.99
Corner lock top/bottom		Art. No. 8.21.448.700.99
Corner lock top/bottom with rose on one lockside		Art. No. 8.21.449.700.99
Profile cylinder for corner lock 8.21.448/449.700.99		Art. No. 8.14.206.000.99
Eccentric bushing for corner lock 8.21.448/449.700.99		Art. No. 8.05.194.700.99
Overpanel-sidel. conn. for 10/12 mm glass		Art. No. 8.29.320.700.99
Overp.-sidel. conn. with stop inside for 10 and 12 mm glass		Art. No. 8.29.322.700.99
Overp.-sidel. conn. with stop outside for 10 mm glass		Art. No. 8.29.324.700.99
	for 12 mm glass	Art. No. 8.29.325.700.99
Floor pivot		Art. No. 8.01.106.700.99
Assembling tool for MANET-single-point f.		Art. No. 8.21.134.000.99
5 pcs. clip-on cover f. single-point fixings		Art. No. 8.29.217.700.99
Sample cases MANET COMPACT for advice and presentation		Art. No. 8.21.994.700.99

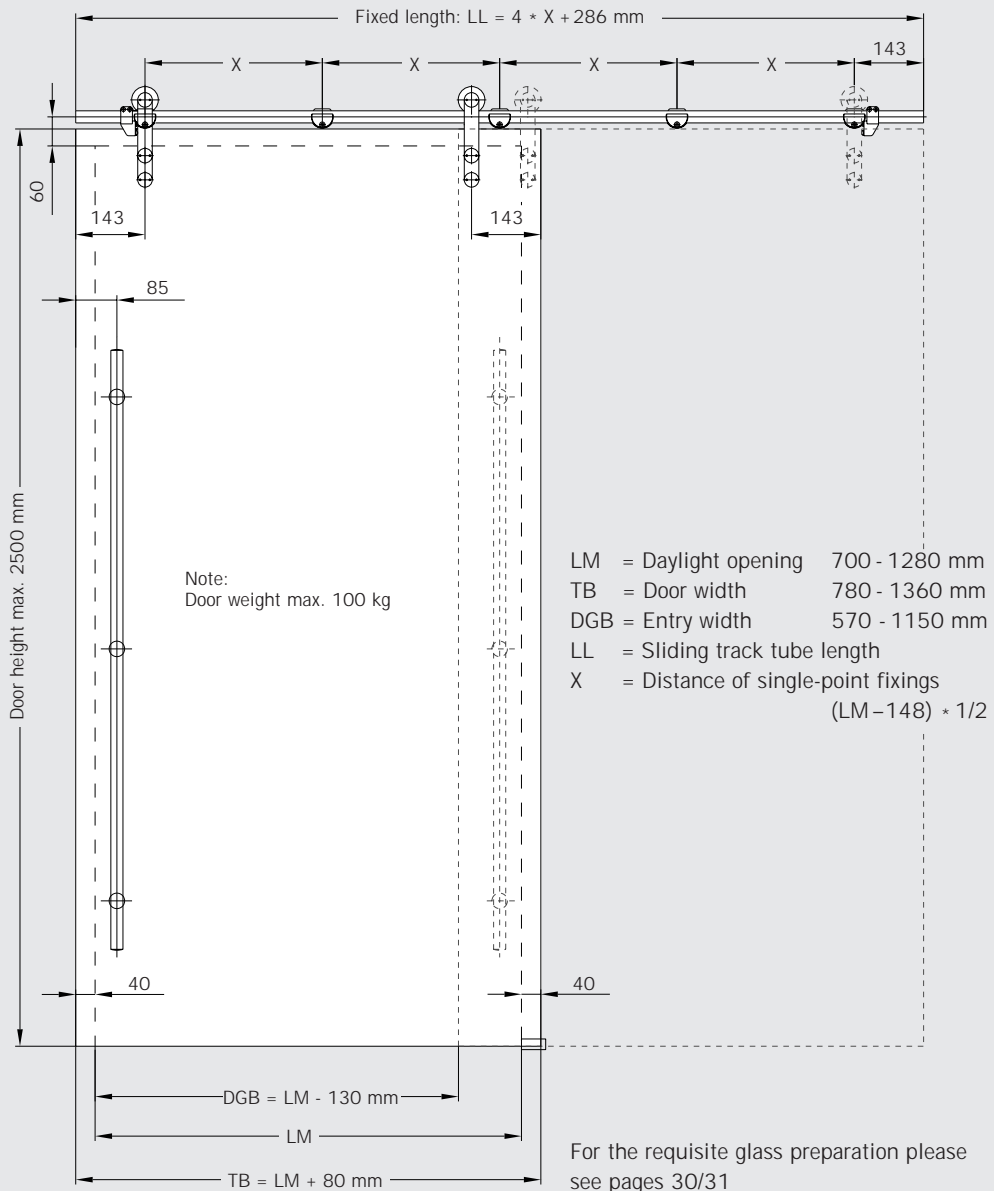
Set 4.1 / 4.2

Sliding door MANET COMPACT for installation to wall, for 8 - 12 mm glass



Set 4.1
with single-point fixings countersunk

Set 4.2
with clamping disc single-point fixings



Set 4.1 / 4.2

Sliding door MANET COMPACT for installation to wall, for 8 - 12 mm glass

Set 4.1 / Set 4.2

consisting of sliding track tube with end plugs in fixed length (please indicate length when ordering, for calculation see page 28/29)

including:

- 5 Clamp fixings for track to wall
- 2 Roller carriers incl. single-point fixings for 8 - 12 mm glass
- 1 Door stop left hand
- 1 Door stop right hand
- 1 Floor guide AGILE
- Installation tools

Set as above,
but with 16 mm extended clamp fixing

Options for Set 4.1 / Set 4.2

Pull handles	Length 350 mm
	Length 720 mm
	Length 1240 mm
	Length 1760 mm
Pair of pull handles	Length 350 mm
	Length 720 mm
	Length 1240 mm
	Length 1760 mm

Door knob
back-to-back for 8 - 12 mm glass

Door knob
one side fixing for 8 - 12 mm glass

Corner lock top/bottom

Corner lock top/bottom
with rose on one lock side

Profile cylinder for
corner lock 8.21.448/449.700.99

Eccentric bushing for
corner lock 8.21.448/449.700.99

Aluminium guide rail
Length 3000 mm

Assembling tool for MANET single-point fixing

5 pcs. clip-on cover f. single-point fixings

Sample cases MANET COMPACT
for advice and presentation

Ordering information

**Set 4.1
with countersunk
single-point fixings**

Art. No. 8.29.916.700.99

Art. No. 8.29.925.700.99

Art. No. 8.29.268.700.99
Art. No. 8.29.271.700.99
Art. No. 8.29.274.700.99
Art. No. 8.29.277.700.99
Art. No. 8.21.267.700.99
Art. No. 8.21.270.700.99
Art. No. 8.21.273.700.99
Art. No. 8.21.276.700.99

**Set 4.2
with clamping disc
single-point fixings**

Art. No. 8.29.917.700.99

Art. No. 8.29.926.700.99

Art. No. 8.21.240.700.99
Art. No. 8.21.241.700.99
Art. No. 8.21.242.700.99
Art. No. 8.21.243.700.99
Art. No. 8.21.267.700.99
Art. No. 8.21.270.700.99
Art. No. 8.21.273.700.99
Art. No. 8.21.276.700.99

Art. No. 8.21.423.700.99

Art. No. 8.29.422.700.99

Art. No. 8.21.448.700.99

Art. No. 8.21.449.700.99

Art. No. 8.14.206.000.99

Art. No. 8.05.194.700.99

Art. No. 8.21.432.700.99

Art. No. 8.21.134.700.99

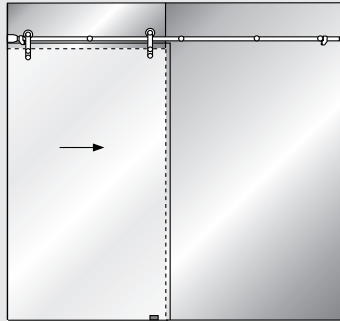
Art. No. 8.29.217.700.99

Art. No. 8.21.994.700.99

Set 5.1 / 5.2

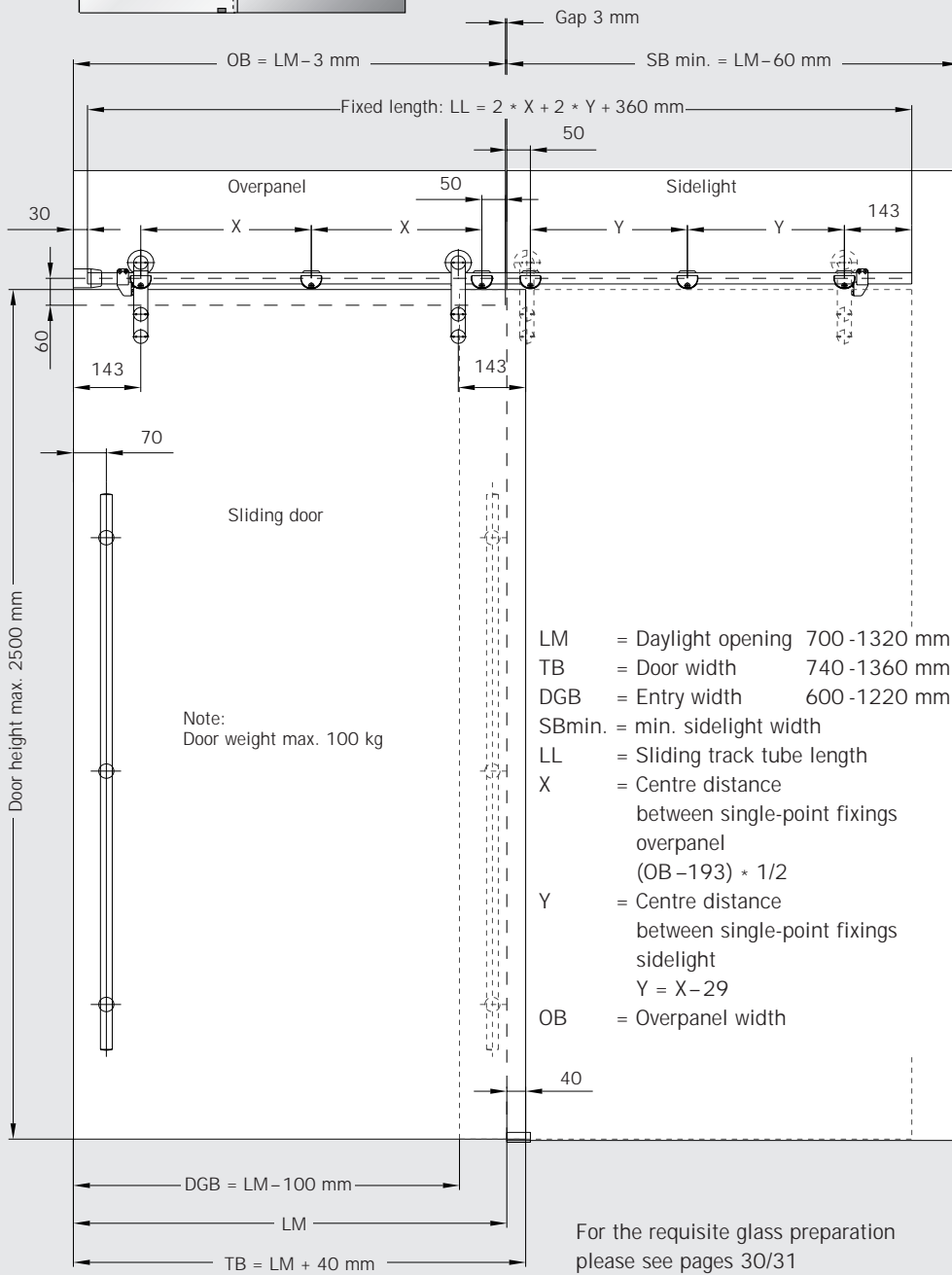
Sliding door MANET COMPACT for installation to glass, one side attached to masonry

for sliding door 8 - 12 mm glass,
glass connection overpanel/sidelight 10 - 13.5 mm



Set 5.1
with countersunk single-point fixings

Set 5.2
with clamping disc single-point fixing



Set 5.1 / 5.2

Sliding door MANET COMPACT for installation to glass, one side attached to masonry, for sliding door 8 - 12 mm glass, glass connection overpanel/sidelight 10 - 13.5 mm

Set 5.1 / Set 5.2

consisting of sliding track tube with end plugs in fixed length (please indicate length when ordering, for calculation see page 28/29)

including:

- 6 Clamp fixings
fixing to glass, countersunk
- 2 Roller carriers
incl. single-point fixings for 8 - 12 mm glass
- 1 Wall fixing flattened
- 1 Door stop left hand
- 1 Door stop right hand
- 1 Floor guide AGILE
- Installation tools

Options for Set 5.1 / Set 5.2

Pull handles	Length	350 mm
	Length	720 mm
	Length	1240 mm
	Length	1760 mm
Pair of pull handles	Length	350 mm
	Length	720 mm
	Length	1240 mm
	Length	1760 mm

Door knob
back-to-back for 8 - 12 mm glass

Door knob
one side fixing for 8 - 12 mm glass

Corner lock top/bottom

Corner lock top/bottom
with rose on one lock side

Profile cylinder for
corner lock 8.21.448/449.700.99

Eccentric bushing for
corner lock 8.21.448/449.700.99

Aluminium guide rail
Length 3000 mm

Ceiling connector
(bearing function)

Assembling tool for MANET single-point fixing

5 pcs. clip-on cover f. single-point fixings

Sample cases MANET COMPACT
for advice and presentation

Ordering information

Set 5.1
with countersunk
single-point fixings

Art. No. 8.29.918.700.99

Set 5.2
with clamping disc
single-point fixings

Art. No. 8.29.919.700.99

Art. No. 8.29.268.700.99

Art. No. 8.29.271.700.99

Art. No. 8.29.274.700.99

Art. No. 8.29.277.700.99

Art. No. 8.21.267.700.99

Art. No. 8.21.270.700.99

Art. No. 8.21.273.700.99

Art. No. 8.21.276.700.99

Art. No. 8.21.240.700.99

Art. No. 8.21.241.700.99

Art. No. 8.21.242.700.99

Art. No. 8.21.243.700.99

Art. No. 8.21.267.700.99

Art. No. 8.21.270.700.99

Art. No. 8.21.273.700.99

Art. No. 8.21.276.700.99

Art. No. 8.21.423.700.99

Art. No. 8.29.422.700.99

Art. No. 8.21.448.700.99

Art. No. 8.21.449.700.99

Art. No. 8.14.206.000.99

Art. No. 8.05.194.700.99

Art. No. 8.21.432.700.99

Art. No. 8.29.337.700.99

Art. No. 8.21.134.000.99

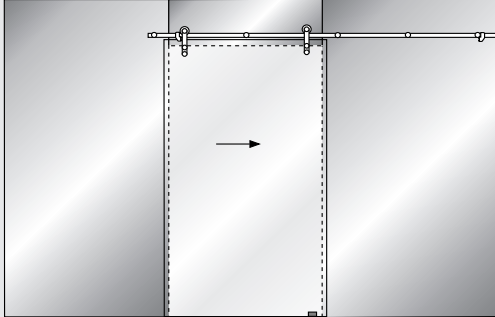
Art. No. 8.29.217.700.99

Art. No. 8.21.994.700.99

Set 6.1 / 6.2

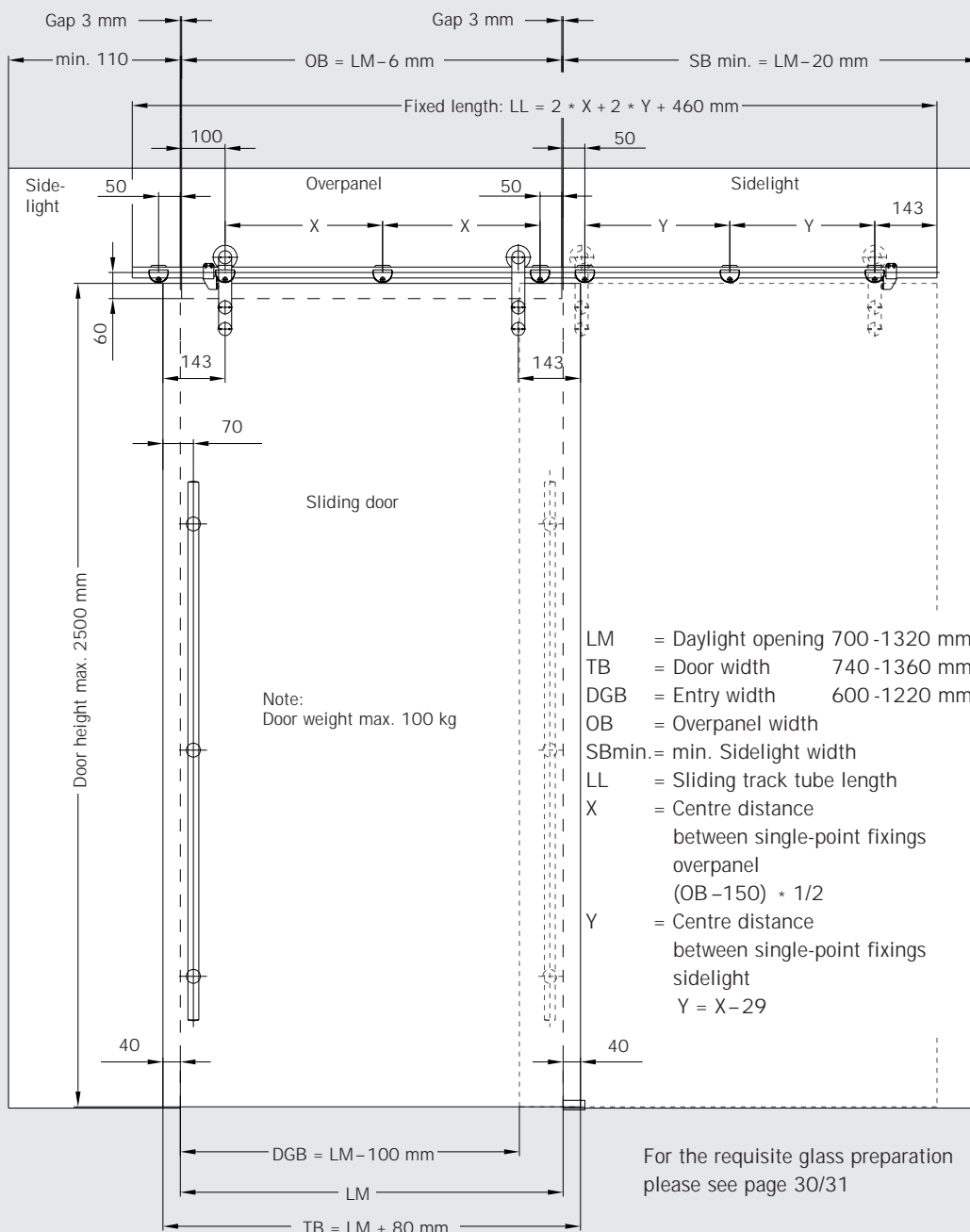
Sliding door MANET COMPACT for installation to glass, sidelights on both sides

for sliding door 8 - 12 mm glass,
glass connection overpanel/sidelight 10 - 13.5 mm



Set 6.1
with countersunk single-point fixings

Set 6.2
with clamping disc single-point fixings



Set 6.1 / 6.2

Sliding door MANET COMPACT for installation to glass, sidelight on both sides, for sliding door 8 - 12 mm Glas, glass connection overpanel/sidelight 10 - 13.5 mm

Set 6.1 / Set 6.2

consisting of sliding track tube with end plugs in fixed length (please indicate length when ordering, for calculation see page 28/29)

including:

- 7 Clamp fixings
fixing to glass
- 2 Roller carriers
incl. single-point fixings for 8 - 12 mm glass
- 1 Door stop left hand
- 1 Door stop right hand
- 1 Floor guide AGILE
- Installation tools

Options for Set 6.1 / Set 6.2

Pull handles	Length	350 mm
	Length	720 mm
	Length	1240 mm
	Length	1760 mm
Pair of pull handles	Length	350 mm
	Length	720 mm
	Length	1240 mm
	Length	1760 mm

Door knob
back-to-back for 8 - 12 mm glass

Door knob
one side fixing for 8 - 12 mm glass

Sliding door lock with ratchet brace

Corner lock top/bottom

Corner lock top/bottom
with rose on one lock side

Profile cylinder for
corner lock 8.21.448/449.700.99

Eccentric bushing for
corner lock 8.21.448/449.700.99

Aluminium guide rail
Length 3000 mm

Ceiling connector
(bearing function)

Assembling tool for MANET single-point fixing

5 pcs. clip-on cover f. single-point fixings

Sample cases MANET COMPACT
for advice and presentation

Ordering information

Set 6.1
with single-point fixings
countersunk

Art. No. 8.29.920.700.99

Set 6.2
with clamping disc
single-point fixings

Art. No. 8.29.921.700.99

Art. No. 8.29.268.700.99

Art. No. 8.29.271.700.99

Art. No. 8.29.274.700.99

Art. No. 8.29.277.700.99

Art. No. 8.21.267.700.99

Art. No. 8.21.270.700.99

Art. No. 8.21.273.700.99

Art. No. 8.21.276.700.99

Art. No. 8.21.240.700.99

Art. No. 8.21.241.700.99

Art. No. 8.21.242.700.99

Art. No. 8.21.243.700.99

Art. No. 8.21.267.700.99

Art. No. 8.21.270.700.99

Art. No. 8.21.273.700.99

Art. No. 8.21.276.700.99

Art. No. 8.21.423.700.99

Art. No. 8.29.422.700.99

Art. No. 8.21.446.700.99

Art. No. 8.21.448.700.99

Art. No. 8.21.449.700.99

Art. No. 8.14.206.000.99

Art. No. 8.05.194.700.99

Art. No. 8.21.432.700.99

Art. No. 8.29.337.700.99

Art. No. 8.21.134.000.99

Art. No. 8.29.217.700.99

Art. No. 8.21.994.700.99