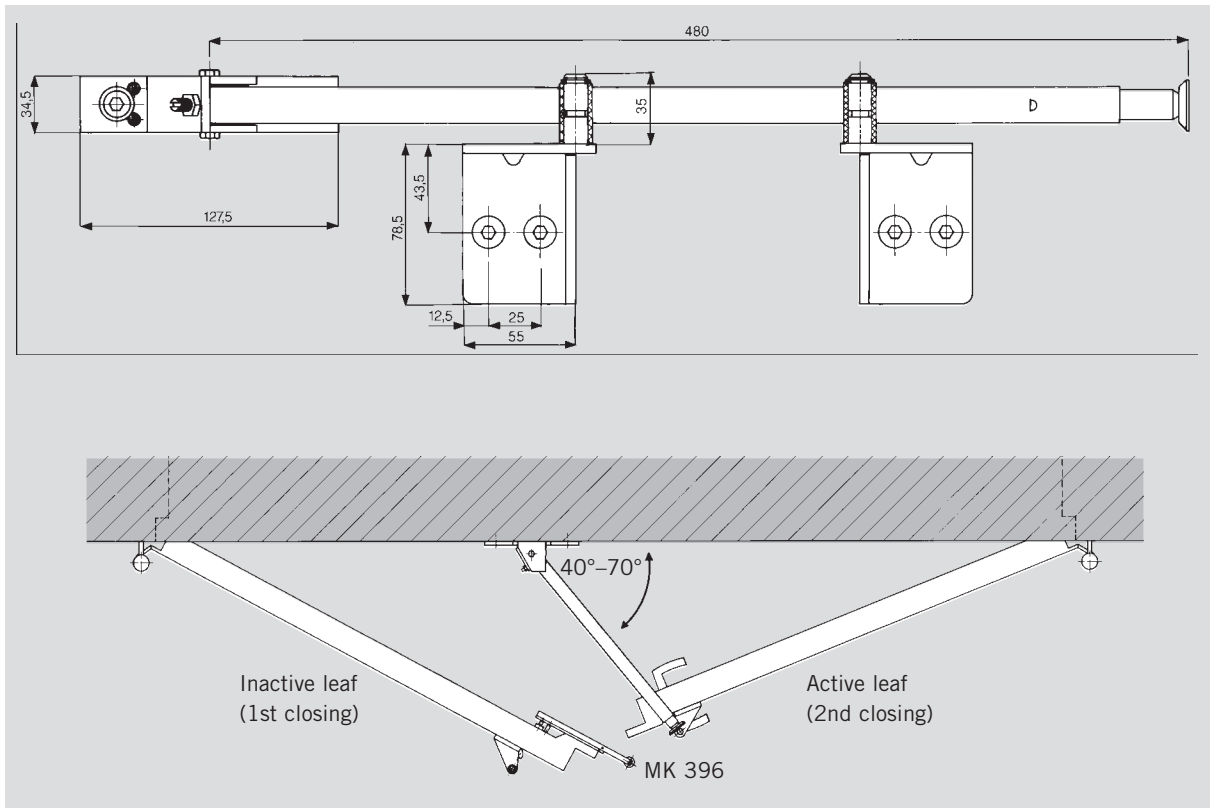




Door co-ordinators

DORMA SR

DORMA SR 390 door co-ordinator, surface-installed



The DORMA SR 390 is a thoroughly proven, purely mechanical door co-ordinator for pairs of doors with rebated meeting stiles.

It is fixed to the door frame as a surface unit and is non-handed.

The DORMA SR 390 ensures the correct sequence of door closing.

Certified to ISO 9001.

F Approval certification

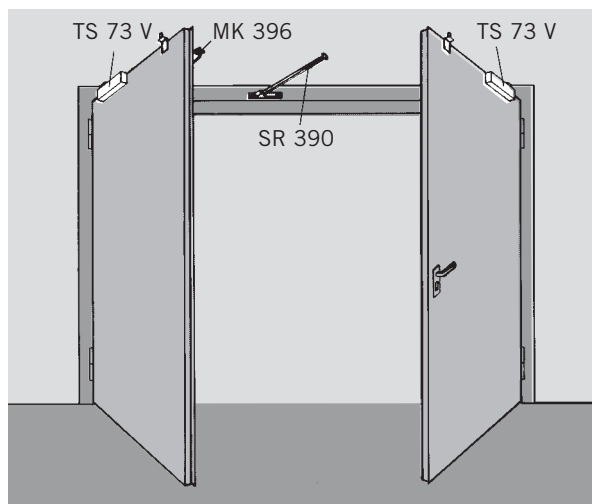
The DORMA SR 390 is approved by the State Material Testing Authority, Dortmund, in accordance with EN 1158.

It may be used in combination with fire doors for which a corresponding approval certificate has been obtained.

Specification text

Door co-ordinator, non-handed, for frame fixing, with integral telescopic shock absorber and adjusting screws for tolerance compensation when installed, including fixing bracket and installation accessories.

Officially approved by the Institute for Building Technology, Berlin, for use with fire doors.



Typical installation for the DORMA SR 390 door co-ordinator

in combination with a DORMA door closer (TS 83, TS 73, TS 59) and the DORMA MK 396 carry bar.

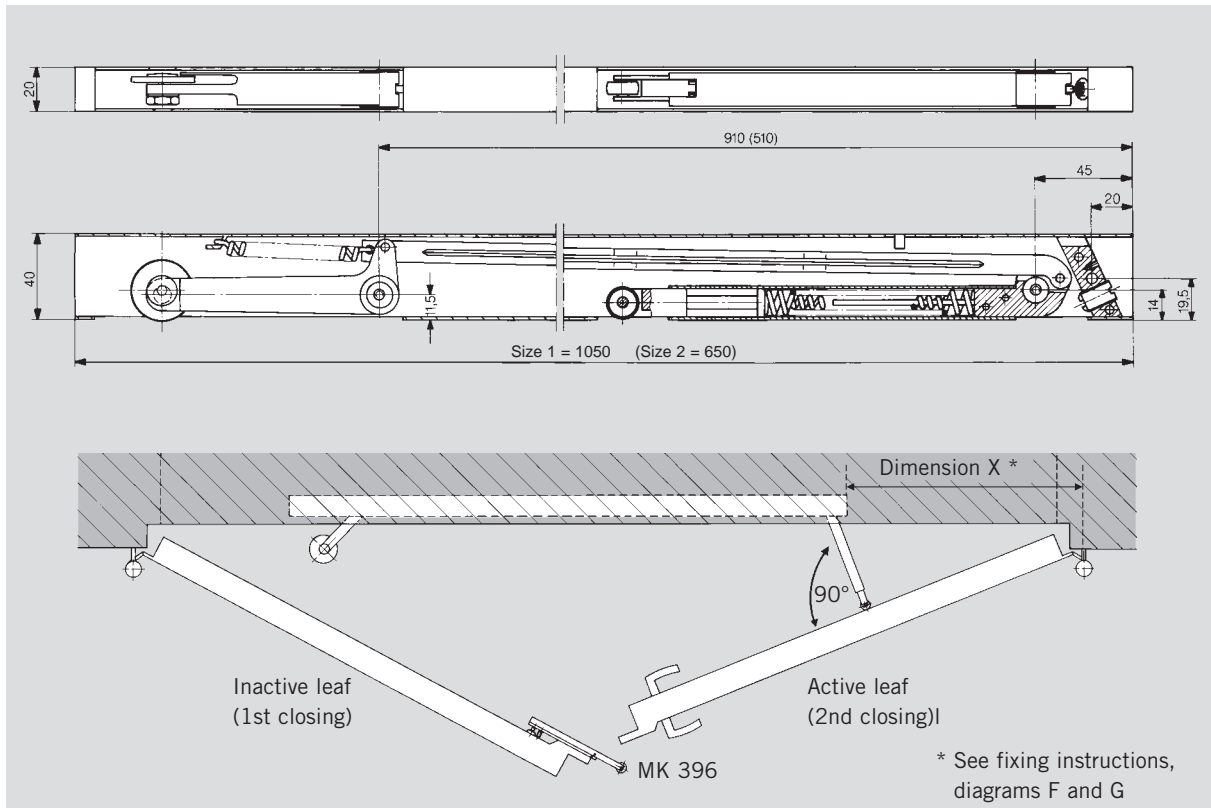
Also suitable for use in combination with DORMA BTS floor springs.

Surface finish

- zinc-plated for steel doors
- zinc-plated and silver-plated for timber doors

Make: DORMA SR 390

DORMA SR 392 concealed door co-ordinator



The DORMA SR 392 is a co-ordinator for pairs of doors with rebated meeting stiles.

It is installed so that it is concealed either in the lintel or below the door frame. It is non-handed and is suitable for combinations of unequal door leaves.

The correct closing sequence of the door leaves is always ensured by the holding arm (active leaf) and the release roller (inactive leaf).

Certified to ISO 9001.

F Approval certification

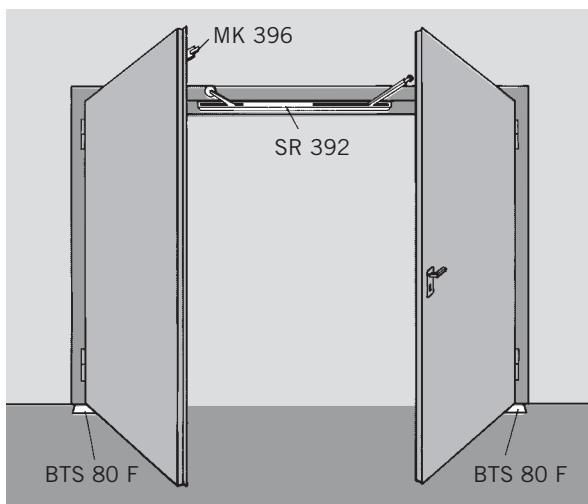
The DORMA SR 392 is approved by the State Material Testing Authority, Dortmund, in accordance with EN 1158.

It may be used in combination with fire doors for which a corresponding approval certificate has been obtained.

Specification text

Concealed non-handed door co-ordinator with integral telescopic shock-absorber, screw for adjusting the holding arm and adjusting eccentric-mounted release roller.

Officially approved by the Institute for Building Technology, Berlin, in conjunction with fire doors.



Typical installation for the DORMA SR 392 door co-ordinator

in combination with a DORMA BTS 80 F floor spring and a DORMA MK 396 carry bar. Combination with DORMA door closers (TS 83, TS 73, TS 59) also possible.

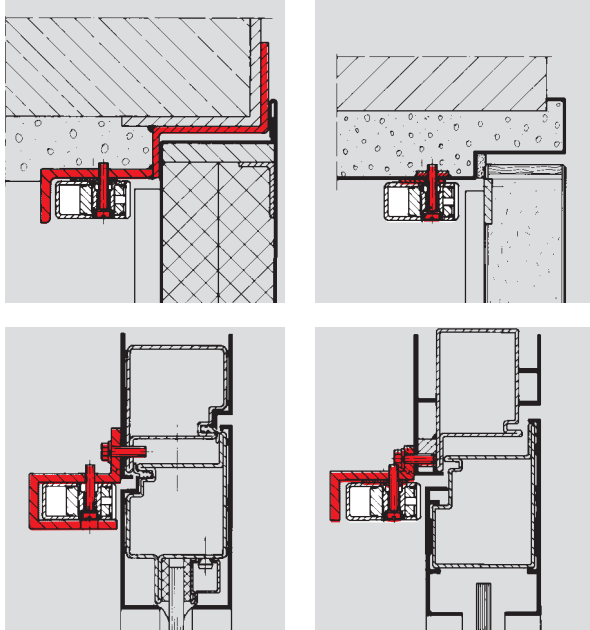
For installation variations and sizes, see page 4

Surface finish

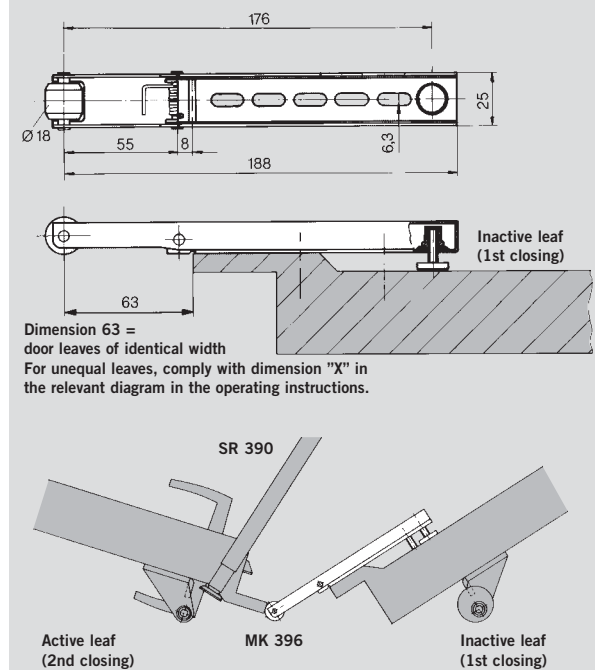
- Size 1 zinc-plated, length 1050 mm (door leaf width greater than 800 mm)
- Size 2 zinc-plated, length 650 mm (door leaf width less than 800 mm)

Make: DORMA SR 392

Installation examples for the DORMA SR 392 door selectors



Carry bar DORMA MK 396



Dimension 63 = door leaves of identical width
For unequal leaves, comply with dimension "X" in the relevant diagram in the operating instructions.

DORMA MK 396 carry bar for double doors in combination with DORMA door co-ordinators.
If a double door is opened at the inactive leaf, the

carry bar mounted on that leaf opens the active leaf far enough for the holding arm of the co-ordinator to ensure the correct closing sequence of the doors.

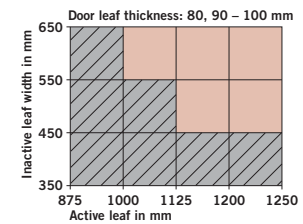
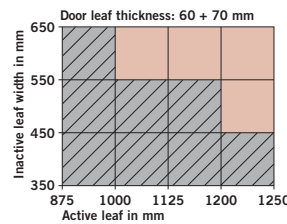
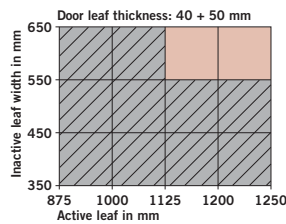
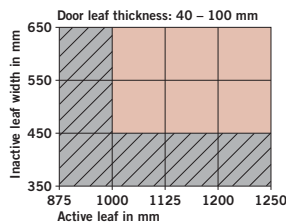
Determining the co-ordinator sizes for different door leaf widths



Size 1 = 1050 mm long
Size 2 = 650 mm long



If choice is exactly between 1 and 2 choose 2.



DORMA GmbH + Co. KG
Division Door Control
www.dorma.com

Central Europe
DORMA GmbH + Co. KG
Breckerfelder Str. 42-48
D-58256 Ennepetal
Phone: +49 23 33/793-0
Fax: +49 23 33/793-495

Australia
DORMA Door Controls Pty. Ltd.
52 Abbott Road
Hallam/Victoria 3803
Australia
Phone: +61 3/97 96 35 55
Fax: +61 3/97 96 39 55

Emerging Markets
DORMA GmbH + Co. KG
Breckerfelder Str. 42-48
D-58256 Ennepetal
Phone: +49 23 33/793-0
Fax: +49 23 33/793-495

Far East
DORMA Door Controls Pte. Ltd.
No. 2 Jalan Terusan, Jurong
Singapore 619285
Phone: +65 62 68/76 33
Fax: +65 62 65/79 14

France
DORMA France S.A.S
Europarc
42/44, rue Eugène Dupuis
F-94046 Creteil Cedex
Phone: +33 1/41 94 24 00
Fax: +33 1/41 94 24 01

Gulf
DORMA Gulf Door Controls FZE
Jebel Ali Free Zone,
Roundabout 8,
Unit VC 02
Dubai, United Arab Emirates
Phone: +971 48/83 90 14
Fax: +971 48/83 90 15

North America
DORMA Architectural Hardware
DORMA Drive, Drawer AC
Reamstown, PA 17567
Phone: +1-800-523-8483
Fax: +1-800-274-9724

Scanbalt
DORMA Danmark A/S
Sindalvej 6 - 8
DK-2610 Rødovre
Phone: +45 44/54 30 00
Fax: +45 44/94 95 04

South Africa
DORMA Door Controls (Pty.) Ltd.
Kings Court
4A Mineral Crescent
ZA-2000 Crown/Gauteng
Johannesburg
Phone: +27 11/8 30 02 80
Fax: +27 11/8 30 02 91

South America
DORMA Sistemas de Controles
para Portas Ltda.
Av. Piracema, 1400
Centro Empresarial Tambore
CEP 06400 Barueri/
São Paulo, Brasil
Phone: +55 11/41 91 32 44
Fax: +55 11/41 91 21 93

South-East Europe
DORMA AUSTRIA GmbH
Pebering Strass 22
A-5301 Eugendorf
Phone: +43 62 25/2 84 88
Fax: +43 62 25/2 84 91

South Europe
DORMA Italiana S.r.l.
Via. A. Canova 44/46
I-20035 Lissone (MI)
Phone: +39 039/24 40 31
Fax: +39 039/24 40 33 10
DORMA Ibérica, S.A.
Camino San Martín de la Vega, 4
E-28500 Arganda del Rey
(Madrid)
Phone: +34 91/8 75 78 50
Fax: +34 91/8 75 78 81

UK/Ireland
DORMA UK Ltd.
Door Controls Division
Wilbury Way
GB-Hitchin
Hertfordshire SG4 0AB
Phone: +44 14 62/47 76 00
Fax: +44 14 62/47 76 01

