



Floor Springs

DORMA

BTS 80
BTS 75 V

Universal application, individual functions and assured quality

Whether standard, narrow or wide, whether LH, RH, or single or double action – DORMA BTS 80 and BTS 75 V door springs are designed for all types of door. A comprehensive program of accessories ensures that they can be used successfully with a wide variety of door constructions and floor coverings.

Thanks to a wide range of functions, which can be individually selected to suit different requirements, DORMA BTS 80 and BTS 75 V floor springs offer maximum reliability and quality.

Certified to ISO 9001.

Benefits...

... for the trade

- Reduced stock requirements because of separate, interchangeable spindles.
- Slim product range offering all key functions.

...for the installer

- Suitable for installation with LH or RH single and double action doors.
- Interchangeable spindles enable easy adaptation to structural conditions – even when retrofitted.

...for the architect/specifier

- Concealed installation for maximum visual elegance
- All essential functions provided
- Proven, robust design capable of withstanding leaf weights of up to 300 kg (BTS 80).

...for the user

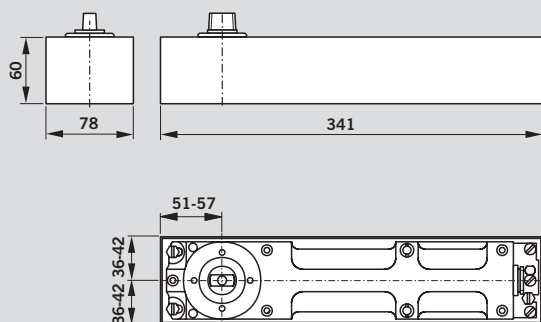
- Constant, temperature-independent closing cycle.
- Highly efficient mechanism gives maximum user convenience.

Data and features	BTS 80			BTS 75 V
	3	4	6	1-4
Spring strength (EN)	–	–	–	●
Spring strength adjustment	–	–	–	●
Standard and external doors ¹⁾	≤ 950 mm	●	–	–
	≤ 1100 mm	–	●	–
	≤ 1400 mm	–	–	●
Fire and smoke check doors	–	–	–	●
Max. leaf weight (kg)	300			120
Non-handed, suitable for single and double action doors	●			●
Closing speed adjustable by valve	175° – 0°	●		
	175° – 15°	–		
	15° – 0°	–		
Backcheck, mechanical	●			●
Delayed action adjustable by valve (selectable alternative to the hold-open feature)	●			–
	–			–
Hold-open	Adjustable	●		
	Fixed 90°	–		
	Fixed 105°	–		
Coverplate secured to	cement box	–		
	floor spring	●		
Weight in kg	7.1			3.0
Dimensions in mm	Length	341		
	Width	78		
	Height	60		
Floor spring tested to EN 1154	●			●
CE marking for building products	In preparation			

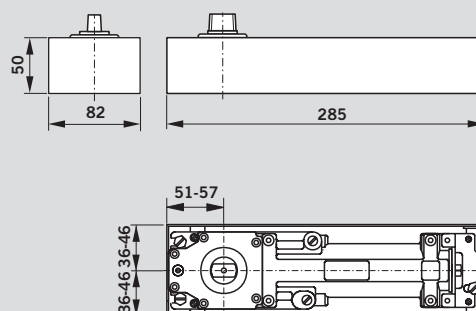
● yes – no

¹⁾ For applications involving particularly high or heavy loads, and doors which have to close against wind or draught conditions, the next larger spring strength should be selected.

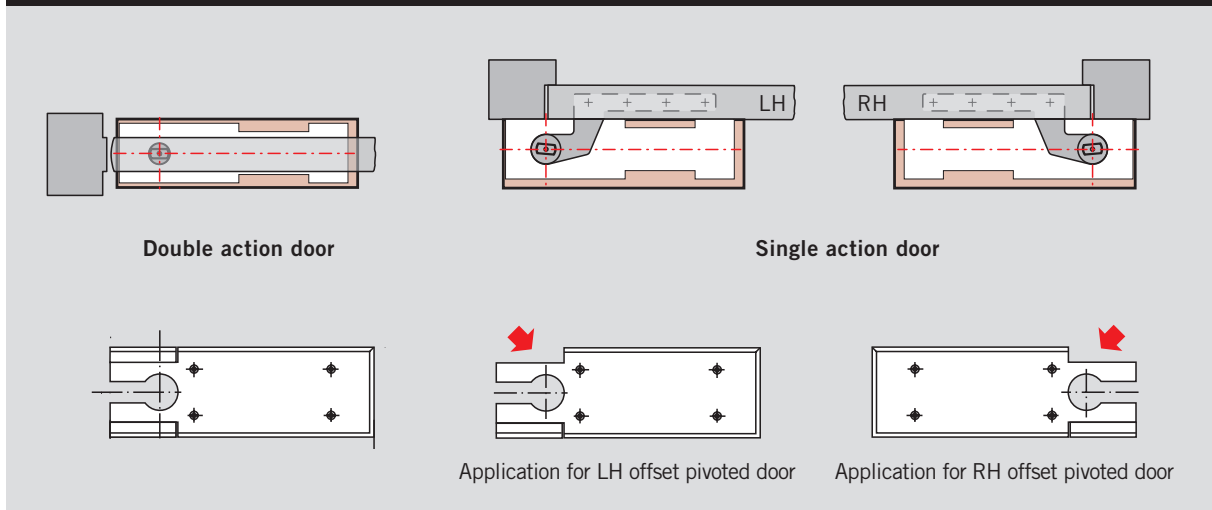
BTS 80



BTS 75 V



Application and Installation

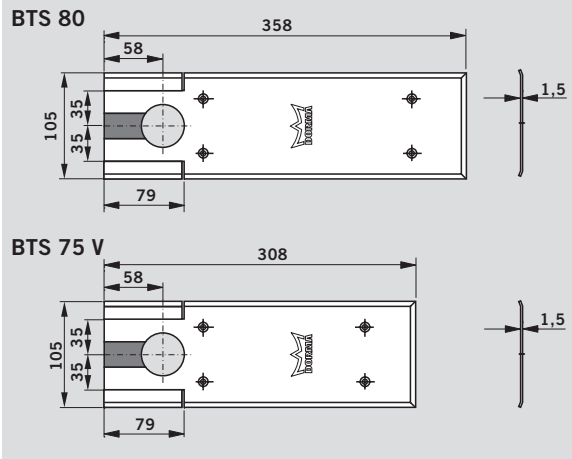


Accessories

Universal cover plate

Adaptable to right or left hand single action applications by simply snapping off the appropriate pre-blanked corner sections. For double action doors, the corner sections remain in place.

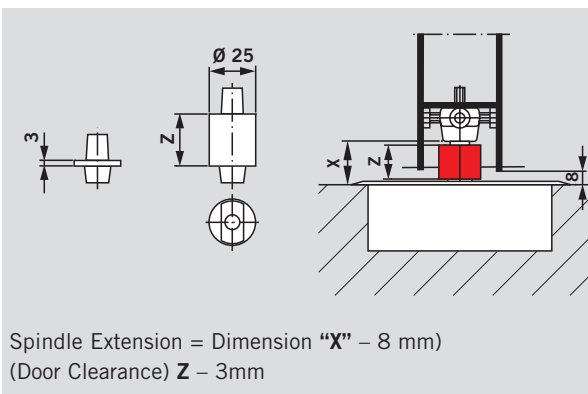
The universal cover plate is available in stainless steel or satin brass (material thickness 1.5 mm).



Spindles

A range of interchangeable spindles is available to provide greater floor clearance if required (e.g. doors with thresholds, carpeted floors etc).

Special spindles available on application: e.g. with flat face profile and 3° offset or square section; spindles for non-DORMA-specific accessories are also available.









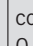
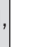





Spindle Extension = Dimension "X" – 8 mm
(Door Clearance) Z – 3mm

DORMA 2300 sealing compound

For filling cavities between the floor spring body and the cement box to protect against moisture penetration.

Information about other accessories such as **door straps and top centres** can be found in the "Accessories for DORMA BTS Floor Springs" leaflet

Standard equipment and accessories		Extended spindles (extension in mm)														2300 sealing compound, 0.5 kg		
BTS 80 floor spring 	BTS 75 V floor spring 																45090059	
45200401	Standard	5	7,5	10	12,5	15	20	25	28	30	35	40	45	50				
45200402																		
45200403																		
45200404																		
45200419																		
45200405																		
45200406																		
45200407																		
45200414																		
45200408																		
45200409																		
45200410																		
45200411																		
45200412																		
Including cement box and standard spindle																		
EN 3	EN 1 – 4	●	#	#	#	#	#	#	#	#	#	#	#	#	#	#	#	#
80120000	61701000																	
EN 4	EN 1 – 4 with hold-open at 90°	●	#	#	#	#	#	#	#	#	#	#	#	#	#	#	#	#
80110000	61701200																	
EN 6	EN 1 – 4 with hold-open at 105°	●	#	#	#	#	#	#	#	#	#	#	#	#	#	#	#	#
80130000	61701300																	
Including cement box without spindle																		
EN 3	EN 1 – 4	#	#	#	#	#	#	#	#	#	#	#	#	#	#	#	#	#
80120001	61701001																	
EN 4	EN 1 – 4 with hold-open at 90°	#	#	#	#	#	#	#	#	#	#	#	#	#	#	#	#	#
80110001	61701201																	
EN 6	EN 1 – 4 with hold-open at 105°	#	#	#	#	#	#	#	#	#	#	#	#	#	#	#	#	#
80130001	61701301																	
Universal cover plate																		
46700000	46700059	Stainless steel																
46700100	46700159	Satin brass																

● = Floor spring with spindle # = Accessories

BTS 80 specification text

Universal non-handed floor spring conforming to DIN EN 1154 for single and double action doors up to max. 300 kg leaf weight. With adjustable closing speed and closing action from approx. 175°, with hydraulically fully controlled closing cycle and backcheck. With integral pressure compensation feature for temperature-independent hold-open between 75° and 175° (removable). With adjustable hold-open start point and delayed action (end of delayed action range adjustable between 75° and 105°). Including cement box.

Size

- EN 3
- EN 4
- EN 6

Accessories

- Spindle
 - standard
 - ... mm extension
 - special model ...
- Universal cover plate (1.5 mm thick)
 - stainless steel
 - satin brass
- Sealing compound

Make: DORMA BTS 80

DORMA BTS 75 V specification text

Universal floor spring conforming to DIN EN 1154, non-handed unit suitable for LH and RH single and double action doors up to 120 kg leaf weight, with adjustable spring strength (size EN 1 – 4) and closing speed, with closing action operational from approx. 175°. Featuring hydraulically fully controlled closing cycle and backcheck. Including cement box.

Accessories

- Spindle
 - standard
 - ... mm extension
 - special design...

- Universal cover plate (1.5 mm thick)
 - stainless steel
 - satin brass

- Sealing compound

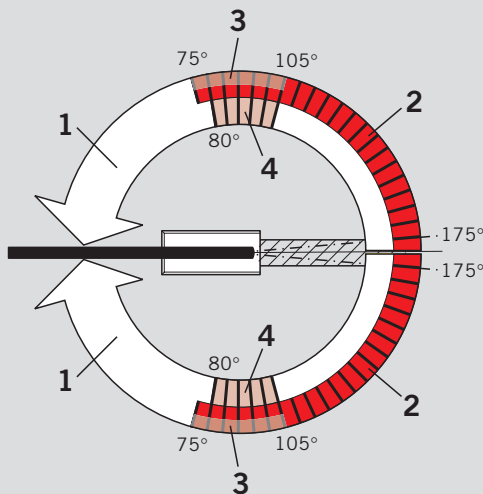
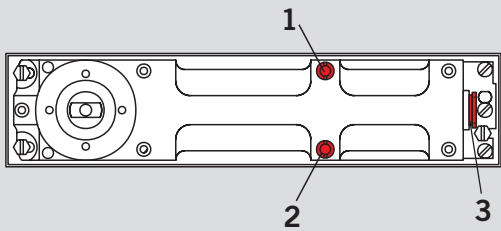
Make: DORMA BTS 75 V

Models

- With spindle
- Without spindle

- Fixed hold-open at 90°
- Fixed hold-open at 105°

Standard and optional functions of the BTS 80



- 1 Adjustable closing speed
- 2 Hold-open range or delayed action range

- 3 Adjustment range – point at which hold-open begins, or end of delayed action range (approx. 75° to 105°).
- 4 Mechanical backcheck (from approx. 80°)

Hydraulic hold-open

The integrated hold-open function allows the door to be held open at any angle between 75° and 175°. The angle at which the hold-open function begins can be adjusted in the range of 75° to 105°.

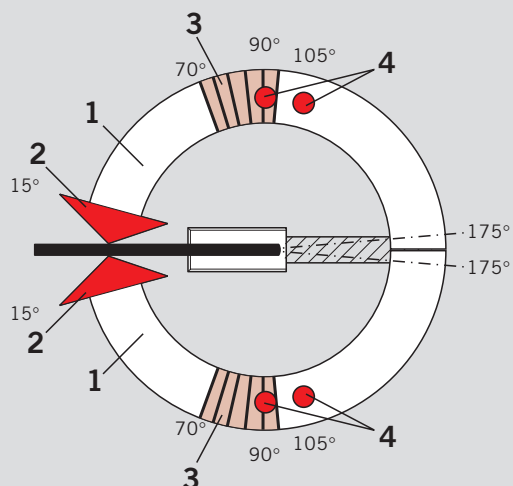
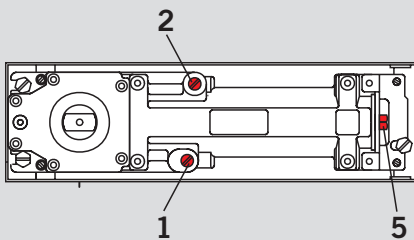
Delayed action

The delayed action function slows the door closing speed, thereby allowing disabled persons, mothers with pushchairs, staff with trolleys or hospital gurneys etc. to pass through the door without problem.

Backcheck

The integrated mechanical backcheck function protects the wall and door from damage caused by excessively vigorous opening.

Standard and optional functions of the BTS 75 V



- 1 Adjustable closing speed in the range 175° – 15°.
- 2 Adjustable closing speed in the range 15° – 0°.

- 3 Mechanical backcheck (from approx. 70°).
- 4 Fixed hold-open at 90° or 105° (option).
- 5 Adjustable spring strength (EN 1–4).

Closing speed

With two independently adjustable closing ranges (175° – 15° and 15° – 0°) the DORMA BTS 75 V is ideally adaptable to different structural conditions.

Fixed hold-open (option)

With the fixed hold-open function the door can be held open at an angle of 90° or 105°, depending on model.

Not suitable for use on Fire doors.

Backcheck

The integrated mechanical backcheck function protects the wall and door from damage caused by excessively vigorous opening.



The DORMA BTS 75 V is CERTIFIRE approved (Certificate No. 127) for door types ITT 60 and IMM, IMN 240.

Division Door Control worldwide

www.dorma.com

Central Europe

DORMA GmbH + Co. KG
Breckerfelder Str. 42-48
D-58256 Ennepetal
Tel. +49 23 33/7 93-0
Fax +49 23 33/7 93-495

Scanbalt

DORMA Danmark A/S
Sindalvej 6 - 8
DK-2610 Rødovre
Tel. +45 44/54 30 00
Fax +45 44/94 95 04

Australia

DORMA Door Controls Pty. Ltd.
52 Abbott Road
Hallam/Victoria 3803
Australia
Tel. +61 3/97 96 35 55
Fax +61 3/97 96 39 55

South Africa

DORMA Door Controls (Pty.) Ltd.
Kings Court, 4A Mineral Crescent
ZA-2000 Crown/Gauteng
Johannesburg
Tel. +27 11/8 30 02 80
Fax +27 11/8 30 02 91

Emerging Markets

DORMA GmbH + Co. KG
Breckerfelder Str. 42-48
D-58256 Ennepetal
Tel. +49 23 33/7 93-0
Fax +49 23 33/7 93-495

South America

DORMA Sistemas de Controles
para Portas Ltda.
Av. Piracema, 1400
Centro Empresarial Tambore
CEP 06400 Barueri/
São Paulo, Brasil
Tel. +55 11/41 91 32 44
Fax +55 11/41 91 21 93

Far East

DORMA Door Controls Pte. Ltd.
No. 2 Jalan Terusan,
Jurong
Singapore 619285
Tel. +65 62 68/76 33
Fax +65 62 65/79 14

South-East Europe

DORMA AUSTRIA GmbH
Pebering Strass 22
A-5301 Eugendorf
Tel. +43 62 25/2 84 88
Fax +43 62 25/2 84 91

France

DORMA France S.A.S.
Europarc
42, rue Eugène Dupuis
F-94046 Créteil
Tel. +33 1/41 94 24 00
Fax +33 1/41 94 24 01

South Europe

DORMA Italiana S.r.l.
Via. A. Canova 44/46
I-20035 Lissone (MI)
Tel. +39 039/24 40 31
Fax +39 039/24 40 33 10

Gulf

DORMA Gulf Door Controls FZE
Jebel Ali Free Zone,
Roundabout 8,
Unit VC 02
Dubai, United Arab Emirates
Tel. +971 48/83 90 14
Fax +971 48/83 90 15

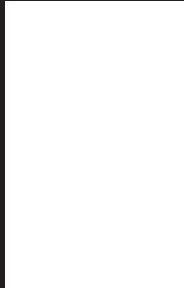
DORMA Ibérica, S.A.
Camino San Martin de la Vega, 4
E-28500 Arganda del Rey
(Madrid)
Tel. +34 91/8 75 78 50
Fax +34 91/8 75 78 81

UK/Ireland

DORMA UK Ltd.
Door Controls Division
Wilbury Way
GB-Hitchin
Hertfordshire SG4 0AB
Tel. +44 14 62/47 76 00
Fax +44 14 62/47 76 01

North America

DORMA Architectural Hardware
DORMA Drive, Drawer AC
Reamstown, PA 17567
Tel. +1-800-523-8483
Fax +1-800-274-9724



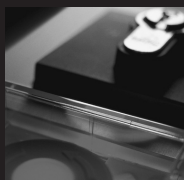
Door Control



Automatic



Glass Fittings and Accessories



Security/ Time and Access (STA)



Movable Walls



4 102122 628671 5