



Easy-action
Door Closer

DORMA TS 83

Easy-action door closer with “thinking” backcheck

Easy to fix and even easier to adjust. The door closer for almost every door size and application.

Decades of experience have gone into the development of the DORMA TS 83.

The result is user comfort coupled with outstanding versatility. It can be adjusted to suit almost all types of door. It can even be supplied with additional

anti-corrosion protection for exposed applications or aggressive conditions. Fixing couldn't be easier – and last but not least – it's engineered for excellence.

Certified to ISO 9001.

Plus points

For the trade

- Low inventory costs and reduced stocking requirement thanks to streamlined product range.
 - Practical and effective solutions to meet special applications thanks to comprehensive choice of accessories.
- #### For the installer
- Easy to fix.
 - Can be “tailored” to the requirements of the door by simple adjustment.
 - Just one model for RH (DIN-R, ISO 5) and LH (DIN-L, ISO 6) doors, and for standard and frame/lintel fixing.
 - Spring strength range EN 2–6 to suit virtually every application.

For the specifier/architect

- Compact closer design and sturdy flat-form arm assembly.
- Wide range of standard functions supplemented by optional extras.
- Suitable for fire doors.

For the user

- Optimum wall and door protection thanks to “thinking” backcheck.
- Closing speed virtually unaffected by temperature fluctuations.
- Proportionately low opening resistance thanks to high mechanical efficiency.



The TS 83 conforms to most recognised international standards and complies with the requirements and/or recommendations of the following: CERTIFIRE approved for fire doors ITT; Ref. CF 118

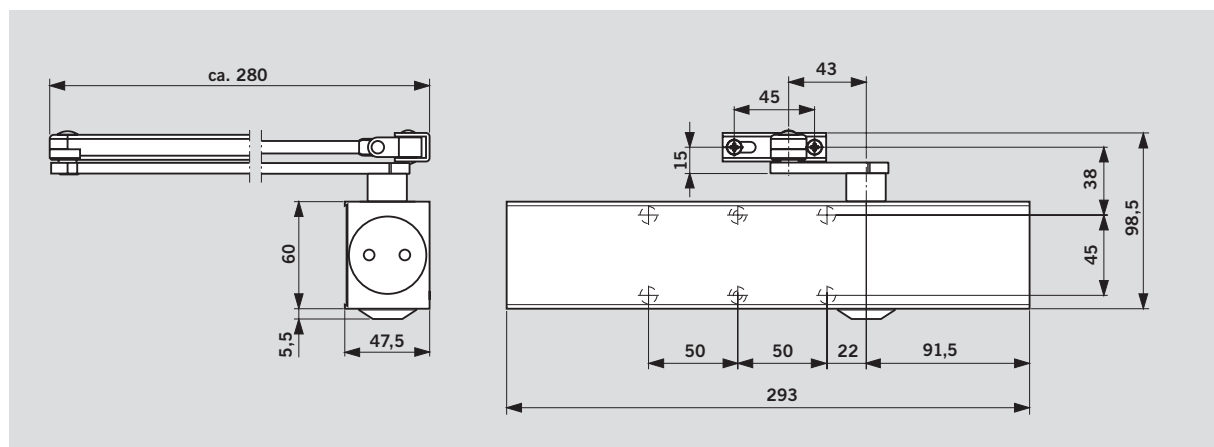
Data and features

TS 83

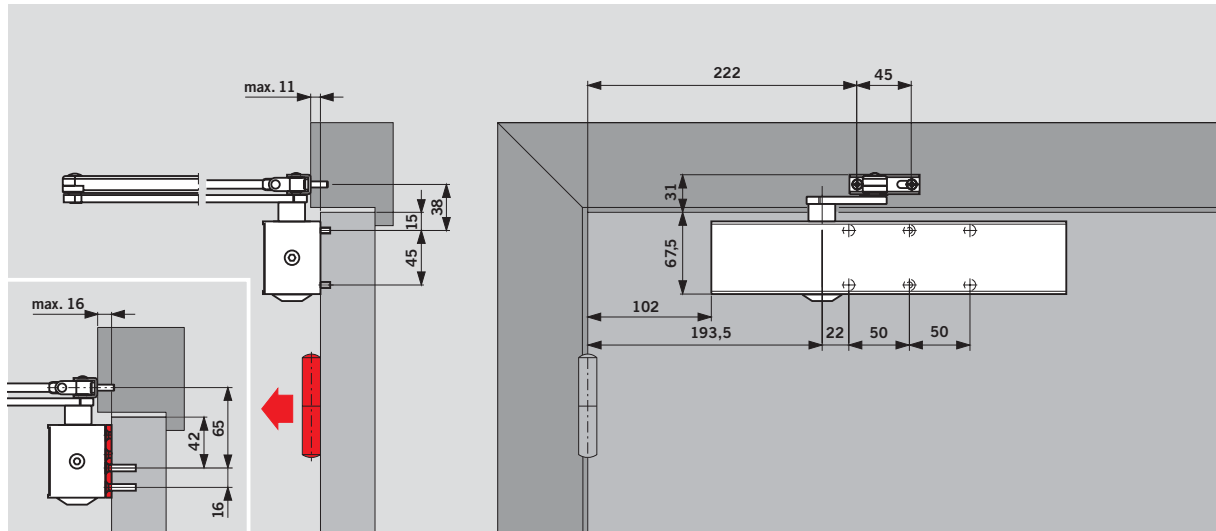
Variable	Spring strength	EN 2 – 6	EN 7
Standard doors ¹⁾	≤ 1400 mm ≤ 1600 mm	● –	– ●
External doors, outward opening ¹⁾	≤ 1400 mm ≤ 1600 mm	● –	– ●
Fire and smoke check doors ¹⁾	≤ 1400 mm ≤ 1600 mm	● –	– ●
Same model for RH (DIN-R, ISO 5) and LH (DIN-L, ISO 6)		●	●
Arm assembly type	Standard	●	●
	Flat-form	●	●
	Slide channel	–	–
Closing force variable by means of adjustment screw		●	–
Sweep speed variable by means of valve adjustment		●	●
Latching speed adjustable	at arm	●	●
	at valve	–	–
Backcheck	self-regulating	●	●
	adjustable at valve	●	●
Delayed action variable at valve		○	–
Hold-open		○	○
Weight in kg		3.3	3.3
Dimensions in mm	Length	293	293
	Overall depth	47.5	47.5
	Height	60	60
Door closer tested to EN 1154		●	●

● yes – no ○ option

¹⁾ For applications involving particularly heavy or wide doors, and doors which have to close against wind resistance, the next highest closer size or a higher spring strength should be applied.

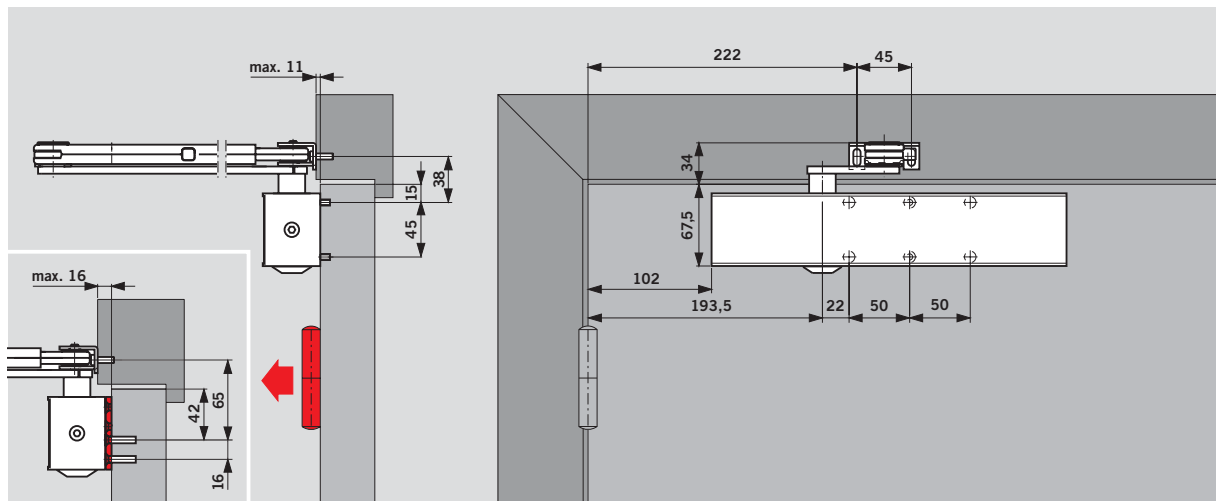


Door leaf fixing, pull side (example shows LH (ISO 6) door; RH (ISO 5) doors mirrored arrangement)

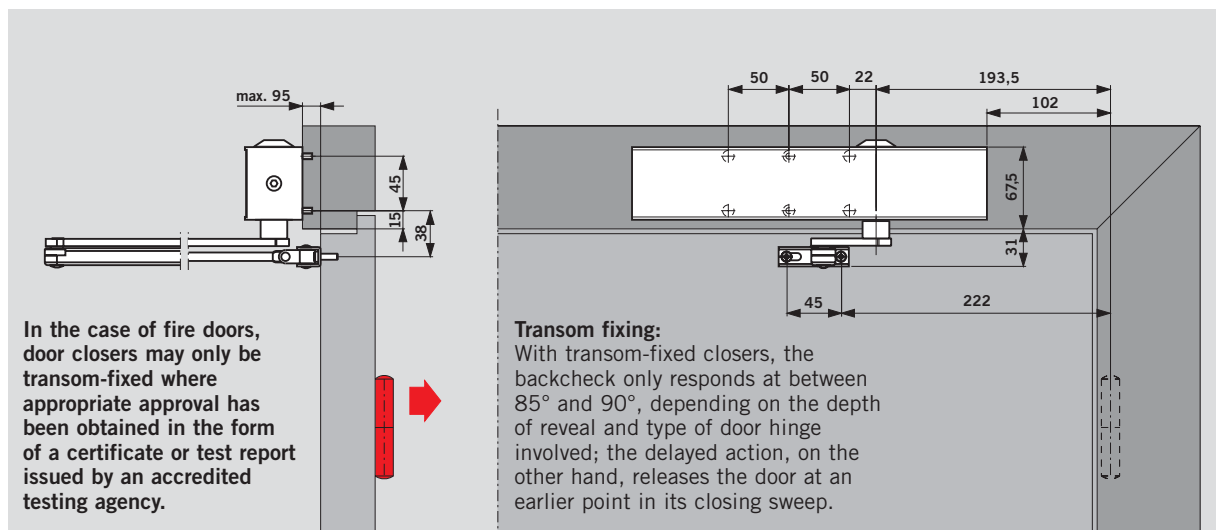


Door leaf fixing with hold-open arm

(example shows LH (ISO 6) door; RH (ISO 5) doors mirrored arrangement)



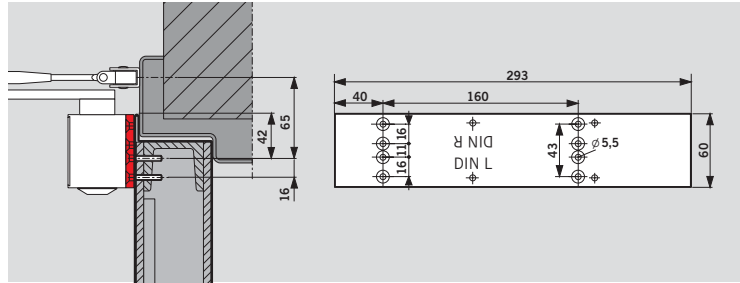
Transom fixing, push side (example shows LH (ISO 6) door; RH (ISO 5) doors mirrored arrangement)



Mounting backplate

Art. No. 8380

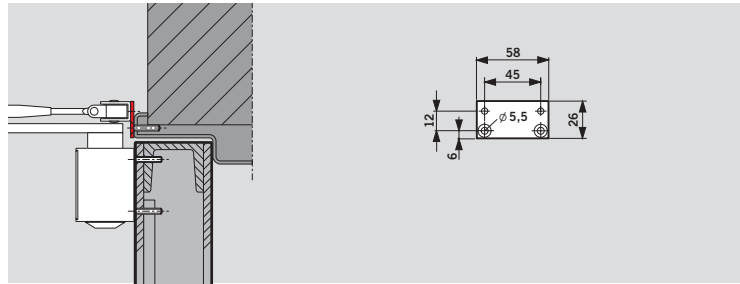
For use with fire and smoke check doors and also as an intermediate plate when direct fixing to the door is not possible; with fixing hole pattern to EN 1154, supplement 1.



Arm bracket adapter plate

Art. No. 8365

For fixing the arm bracket to particularly narrow door frames.

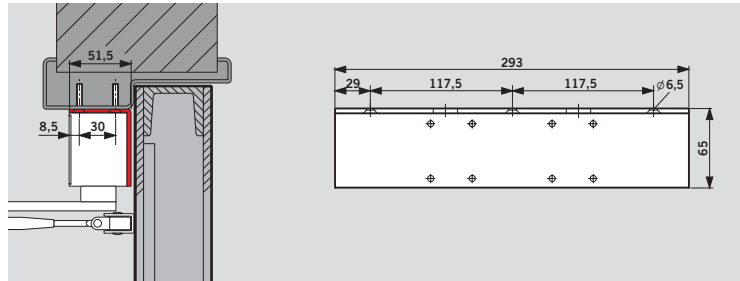


Angle bracket

Art. No. 8357

For frame/lintel fixing of the closer on the push side of doors with deep reveals.

On fire and smoke check doors, proof of suitability required in relation to the individual door concerned.

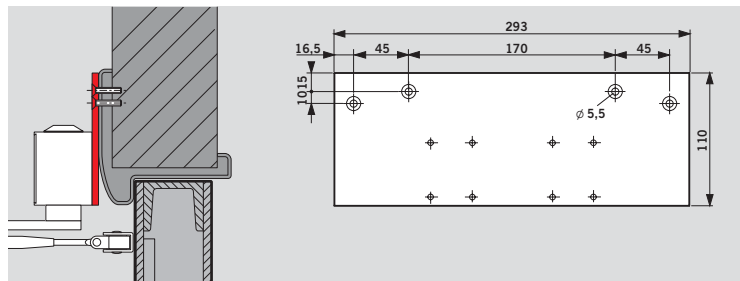


Drop plate

Art. No. 8359

For installation on frame when direct fixing of closer is not possible.

On fire and smoke check doors, proof of suitability required in relation to the individual door concerned.

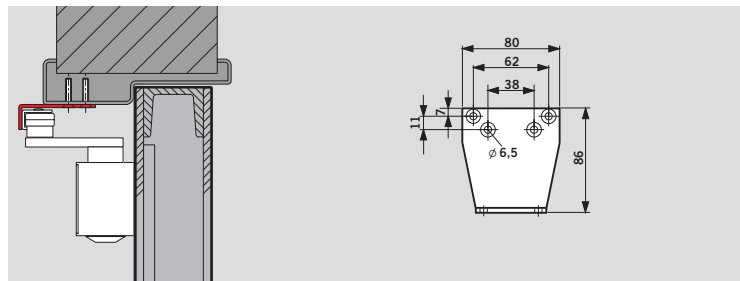


Parallel arm bracket

Art. No. 8382

For parallel arm installation on the push side (see fixing instructions for dimensions).

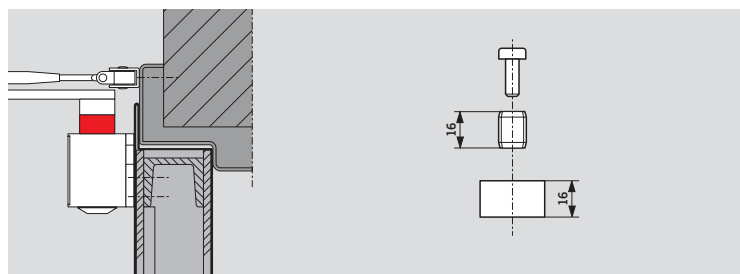
On fire and smoke check doors, proof of suitability required in relation to the individual door concerned.



Spindle extension

Art. No. 8349

For increasing the distance between the closer and the arm assembly in the case of doors with a high overlap; 16 mm high.



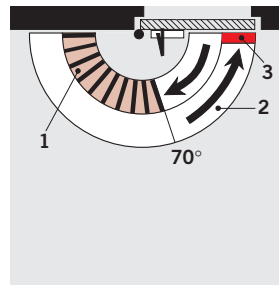
Standard and optional functions

With “thinking” backcheck – Model BC/ÖD

Thanks to an innovative design concept, the resistance developed by this backcheck system as the door is opened beyond approx. 70° is directly proportional to door acceleration. It is almost imperceptible when the door is opened slowly. However, if the door is opened hastily, the backcheck responds in equal measure.

And if the door should be flung open at speed – whether deliberately, thoughtlessly, accidentally or as a result of a gust of wind – the backcheck reacts at full strength, protecting the wall and door from damage.

If no backcheck function is required, the system can simply be switched off.

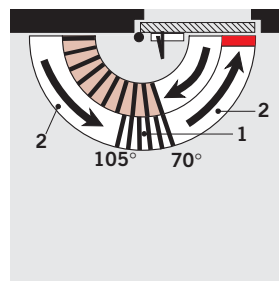
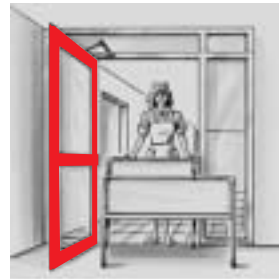


- 1 Self-regulating backcheck
- 2 Fully controlled closing with adjustable speed
- 3 Adjustable latch range

With additional delayed action – Model BC/ÖD + DC/SV

This model with its additional, integrated delayed action enables the closing cycle to be retarded within an adjustable range so that disabled persons, mothers with prams and people carrying bulky items are able to pass through the door without difficulty.

This model can also be used for fire doors.

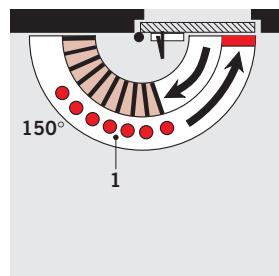


- 1 Adjustable delayed action
- 2 Fully controlled closing with adjustable speed

With hold-open – Model with hold-open arm

Combining the TS 83 with a hold-open arm enables the door to be held open at an appropriate angle (up to approx. 150°).

The hold-open function in the standard hold-open arm can be switched on and off by the user by simply pressing a switch.



- 1 Hold-open range

Hold-open arms are not approved for fire and smoke check doors.

Supply and accessory information

Closer body TS 83	Standard arm	Standard arm anti-corrosive type (AC)	Flat-form arm	Hold-open arm with on/off switch	Mounting backplate	Arm bracket adapter plate	Angle bracket	Drop plate	Parallel arm bracket	Spindle extension 16 mm
	 □ 220023xx		 □ 830001xx	 □ 220030xx	 830011xx	 830014xx	 830013xx	 830012xx	 280066xx	 83003705
Size EN 2 – 6 BC/ÖD ■ 830101xx	□		□	□	#	#	#	#	#	#
Size EN 2 – 6 BC/ÖD+DC/SV ■ 830401xx	□		□	□	#	#	#	#	#	#
Size EN 2 – 6 BC/ÖD (AC)		■ 830203xx			#	#	#	#	#	#
Size EN 7 BC/ÖD ■ 830501xx	□		□	□	#	#	#	#	#	#

Order No.:
 ■ = Body only
 □ = Arm only
 ■□ = Closer with arm, complete
 # = Optional accessory

Colour*):
 silver 01
 white (RAL 9016) 11
 white (RAL 9010) 10
 other 09

* Anti-corrosion protected closers and arms available in silver (01) only.

Specification text

Easy-action rack and pinion door closer with integral self-regulating backcheck; adjustable closing speed and adjustable latch range.

Model
 with additional, adjustable delayed action
 with standard arm
 with flatform arm
 anti-corrosion protected (AC)
 with hold-open arm with switch

Size
 EN 2 – 6, spring strength adjustable
 EN 7

Accessories

Colour
 silver
 white (sim. RAL 9016)
 white (sim. RAL 9010)
 other (sim. RAL _____)

Model make DORMA TS 83

DORMA GmbH + Co. KG
Division Door Control
www.dorma.com

Central Europe
 DORMA GmbH + Co. KG
 Breckerfelder Str. 42–48
 D-58256 Ennepetal
 Phone: +49 23 33/793-0
 Fax: +49 23 33/793-495

Australia
 DORMA Door Controls Pty. Ltd.
 52 Abbott Road
 Hallam/Victoria 3803
 Australia
 Phone: +61 3/97 96 35 55
 Fax: +61 3/97 96 39 55

Emerging Markets
 DORMA GmbH + Co. KG
 Breckerfelder Str. 42–48
 D-58256 Ennepetal
 Phone: +49 23 33/7 93-0
 Fax: +49 23 33/7 93-495

Far East
 DORMA Door Controls Pte. Ltd.
 No. 2 Jalan Terusan, Jurong
 Singapore 619285
 Phone: +65 62 68/76 33
 Fax: +65 62 65/79 14

France
 DORMA France S.A.S
 Europarc
 42/44, rue Eugène Dupuis
 F-94046 Creteil Cedex
 Phone: +33 1/41 94 24 00
 Fax: +33 1/41 94 24 01

Gulf
 DORMA Gulf Door Controls FZE
 Jebel Ali Free Zone,
 Roundabout 8,
 Unit VC 02
 Dubai, United Arab Emirates
 Phone: +971 48/83 90 14
 Fax: +971 48/83 90 15

North America
 DORMA Architectural Hardware
 DORMA Drive, Drawer AC
 Reamstown, PA 17567
 Phone: +1-800-523-8483
 Fax: +1-800-274-9724

Scanbalt
 DORMA Danmark A/S
 Sindalvej 6 – 8
 DK-2610 Rødovre
 Phone: +45 44/54 30 00
 Fax: +45 44/94 95 04

South Africa
 DORMA Door Controls (Pty.) Ltd.
 Kings Court
 4A Mineral Crescent
 ZA-2000 Crown/Gauteng
 Johannesburg
 Phone: +27 11/8 30 02 80
 Fax: +27 11/8 30 02 91

South America
 DORMA Sistemas de Controles
 para Portas Ltda.
 Av. Piracema, 1400
 Centro Empresarial Tambore
 CEP 06400 Barueri/
 São Paulo, Brasil
 Phone: +55 11/41 91 32 44
 Fax: +55 11/41 91 21 93

South-East Europe
 DORMA AUSTRIA GmbH
 Pebering Strass 22
 A-5301 Eugendorf
 Phone: +43 62 25/2 84 88
 Fax: +43 62 25/2 84 91

South Europe
 DORMA Italiana S.r.l.
 Via. A. Canova 44/46
 I-20035 Lissone (MI)
 Phone: +39 039/24 40 31
 Fax: +39 039/24 40 33 10

 DORMA Ibérica, S.A.
 Camino San Martin de la Vega, 4
 E-28500 Arganda del Rey
 (Madrid)
 Phone: +34 91/8 75 78 50
 Fax: +34 91/8 75 78 81

UK/Ireland
 DORMA UK Ltd.
 Door Controls Division
 Wilbury Way
 GB-Hitchin
 Hertfordshire SG4 0AB
 Phone: +44 14 62/47 76 00
 Fax: +44 14 62/47 76 01



4 021226 128770 5